

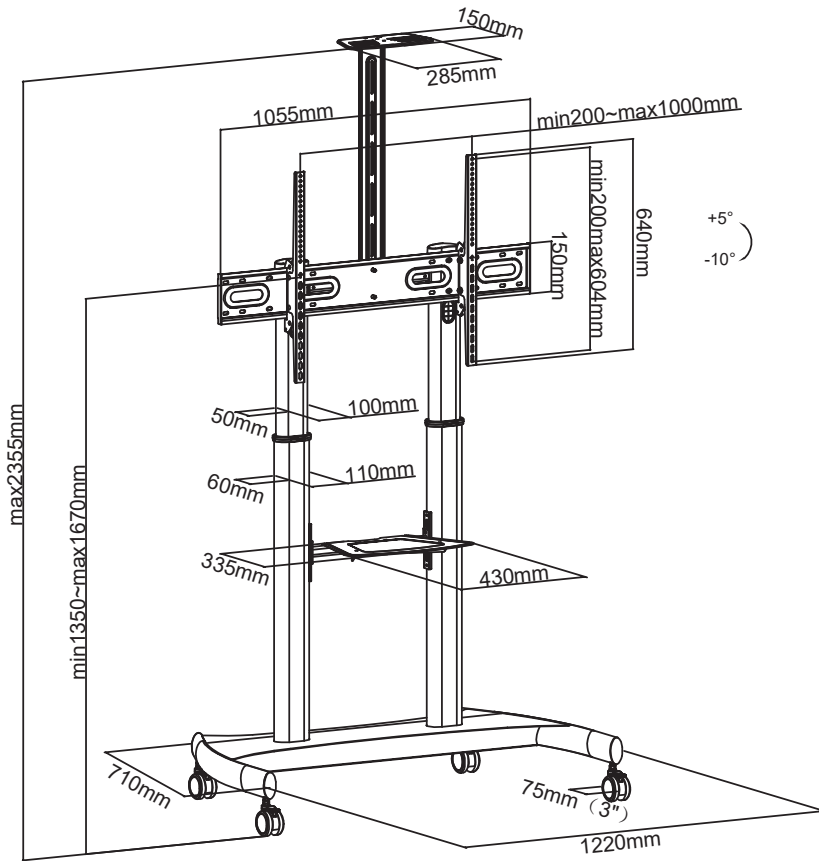


MOBILE CART FOR MONITORS UP TO 100"

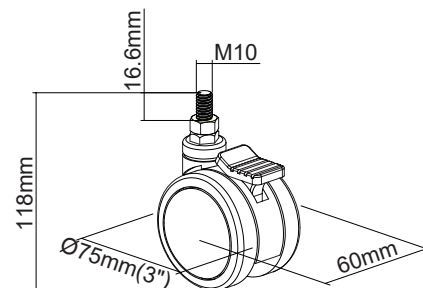
Mobile trolley for monitors up to 100 ". Manually adjustable height. Double column, laptop shelf and camera support included. Horizontal only monitor orientation. H-shaped base and black color.

HLG604740B

- Manual height adjustment for correct positioning.
- Cable management to keep everything organized.
- Sturdy steel base.
- The top shelf features an easy installation and free height adjustment.



Max monitor size	from 60" to 100"	
Settings	Height	Manual, 135~167 cm (from the floor to the center of the monitor)
	Inclination	+5° / -10°
	Orientation	Horizontal (Landscape mode)
Shelves	Lower	33,5x43cm (For laptop, media player etc.)
	Higher	15x28,5 cm, maximum height 235.5 cm (for video camera)
Compatible VESA	400x400, 600x400, 800x400, 800x600, 1000x600	
Max. Flow	AV shelf	5kg (11lbs)
	Camera rack	5kg (11lbs)
	Monitor brackets	100kg (220lbs)
Color	Black slate	
Bracket spacing	20~100 cm (L) - 20~60,4 cm (A)	
Warranty	2 years on center	



The extra-large wheels make it easier to move the cart.