



Conference board

(H268K technology version product specification)

55 / 65 / 75 / 86 "



Eight devices in one

JAV conference Flat Panel integrates the functions in one of eight devices: projector, curtain, electronic whiteboard, TV, computer, tablet, set top box and audio.

Dual system

Android + Windows dual system one-key switch, strong compatibility, can install various software, meet the needs of office, teaching, training, display, etc., with a wider range of applications.

Electronic whiteboard

20-point touch, pen point, two-color writing, original handwriting is true and smooth writing experience, supports gesture erasing, zooming in and out, roaming, you can add pages as you like, insert materials, and scan and share meeting minutes.

Full channel annotation

Supports quick setting of the pen color, the comment mode can be turned on in any interface, and the flash of inspiration can be recorded at any time. In the PPT mode, you can also comment on the page and save the comment record.

Wireless screen casting

Mobile phone and tablet 5G ultra-fast screen casting , Android end needs to download the screen mirroring software, IOS end directly transfers the screen through AIR PLAY mirroring; laptop wireless screen mirroring, can be two-way operation, needs to be equipped with a wireless screen mirroring device to support simultaneous screen casting in all directions.

Teleconferencing

Install remote video conferencing software, with camera and microphone, you can achieve remote video conferencing.

VIP reception

Create a welcome ceremony for every visitor at zero cost. Built-in business, government, medical, education, advertising, etc. more than ten industries welcome template applications, support multi-person sign-in, save, scan code sharing.

4K Anti-glare screen

Watching in the sun, the screen content is still clearly visible, without missing any details.

One-button start

Energy-saving, switch on/off OPS computer, switch all-in-one function, three buttons in one; convenient design of front USB port.

Display parameters				
Glass specifications	A grade			
Size	55 inches	65 inches	75 inches	86 inches
Maximum display size	1210(H)X680 (V) mm	1429 (H) x804 (V)	1649 (H) x928 (V)	1895 (H) x1066 (V)
Resolution	3840 (H) x2160 (V)			
Response time	8 ms			
Aspect ratio	16:9			
Refresh rate	60Hz			
Chromaticity	1.07B(10bit)			
Color gamut NTSC(Typ)	72%			
Contrast (Typ)	5000:1			
Viewing angle	178°(H/V)			
Backlight type	DLED			
Screen brightness(Typ)	≥260cd/m2	≥300cd/m2	≥350cd/m2	≥400cd/m2
Working Life	≥30000 hours			

Touch writing system	
Principle of Recognition	Infrared recognition
Support system	Windows10/Windows8/Windows7/Windows XP/Android/Linux/Mac OS X/Chrome
Touch points	20 points touch
Smallest identifier	2mm
Input method	Fingers, touch pens and other opaque objects
Response time	< 15 ms
Touch accuracy	±1mm (more than 90% touch area)
Writing height	3mm

Communication way	Full speed USB+ USB
Surface hardness of writing screen	7H
Surface treatment of writing screen	Anti-glare inside
Output coordinates	32767 (W) ×32767(D)
Sampling Rate	≥120HZ
Two-color pen	Support
One line Internet function	The Android terminal is connected to the network cable, and the OPS can access the Internet
LOGO/dynamic import	Factories can import custom screens/animations
PC one-key restore	With our PC, the computer system can be restored in the Android system menu without the help of keyboard and mouse
Theme	Education theme
Front interface	Two-way USB: Android/PC sharing, the display surface is the priority
One key start (three keys in one)	Energy saving, switch OPS computer, switch all-in-one machine function

Menu can be pulled up under PC	Support 1/2
Lock function	Screen lock, PC touch lock, U disk lock, application lock
Channel intelligent recognition	Support
System Upgrade	Local + support networking
Smart pen	Self-adapting our 4-key/6-key smart pen
Screen mirroring	Support 5G/2.4G screen mirroring, maximum four screens can be displayed at the same time
Screen recording	Support
Pen tip writing	Support
Quick access to the factory defaults	Support
Screen laminated method	Non-laminated method (CO and AG are only 0.5mm spacing) for smoother writing

Build-in system	
System version	Android 8.0
CPU	Qual A73 + Qual A53 max1.5G
GPU	G51MP
RAM	3GB
ROM	32GB

Effective I/O ports	
HDMI IN	2
USB2.0	4 (2 channels front Android/PC sharing)
VGA AUDIO IN	1
VGA IN	1
AV IN	1
EARPHONE	1
Touch USB	1
TV	1
SPDIF OUT coaxial	1
RS232 UART serial port	1
RJ45	1
YPBPR	1

Wireless parameters		
Wi-Fi	Version	802.11 a/b/g/n/ac
	Operating frequency	2.4G
	Working distance	12m

Audio and video parameters	
Soundtrack	Two-channel
Power	2×10W (full frequency)

Power parameters				
Size	55"	65"	75"	86"
Power input	100-240V~50/60Hz			
Maximum power consumption of the whole machine	118W	186.7W	246.8W	353W
Standby power consumption	≤0.5W			

Environmental factor	
Operating temperature	0℃~40℃
Operating humidity	10%~90%RH
Storage temperature	-20℃~60℃
Storage humidity	10%~90%RH
Altitude	Below 5000m

3.2 Windows system

Optional OPS computer module, upgraded to Android+Windows dual system, one-key switch, compatible with more software, to meet the diversified needs of various industries





android



Windows7/10



3.3 Different function between Android and Windows system.

 Android Version	 Windows Version
Smart whiteboard writing	Smart whiteboard writing
Manuscript presentation	Manuscript presentation
5G WiFi module	5G WiFi module
Wireless screen casting	Wireless screen casting
Four split screen casting	Four split screen casting
Annotate with page	Annotate with page
Scan code to take away	Scan code to take away
Screen recording function	Screen recording function
N/A	video conference
Enterprise Cloud Class	Enterprise Cloud Class
Gadget applications (voting, alarm clock, etc.)	Gadget applications (voting, alarm clock, etc.)
Wired/Wireless Internet	Wired/Wireless Internet
N/A	OPS computer module
Android system software	ndroid system software
N/A	Windows system software
N/A	PS/CAD and other large design drawing software

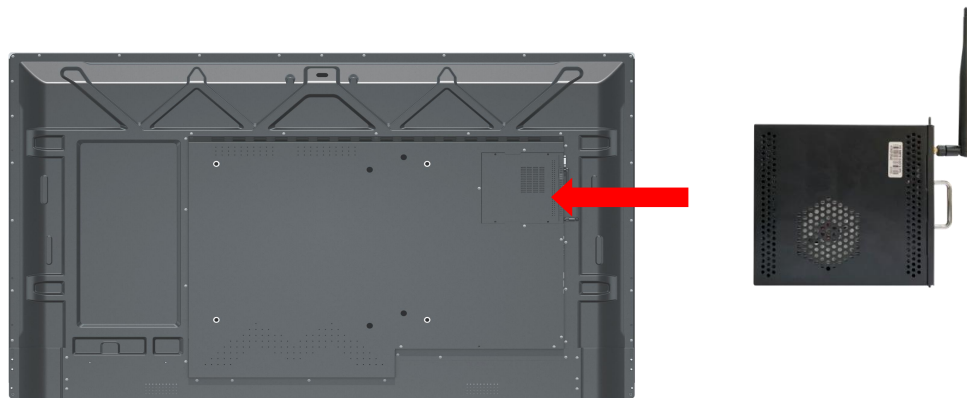
3.4 OPS computer parameters

PC system (optional)		
PC model	I3/I5/I7	
PC type	Ultra-thin pluggable Intel Core series modular computer	
CPU	Core	
Configuration	default allocation	I5, DDR4 8GB, M.2 solid state drive 256GB(SSD)
	Custom configuration	I3 / I7
Graphics card	Integrated Intel® HD Graphics	
Sound card	Integrated high-definition stereo sound card	
Built-in system	Windows 7 / 10 Enterprise Edition	
HDMI output	1	
USB2.0	2	
USB3.0	2	
Microphone input	1	
AUDIO OUT	1	
VGA OUT	1	
RJ45	1	

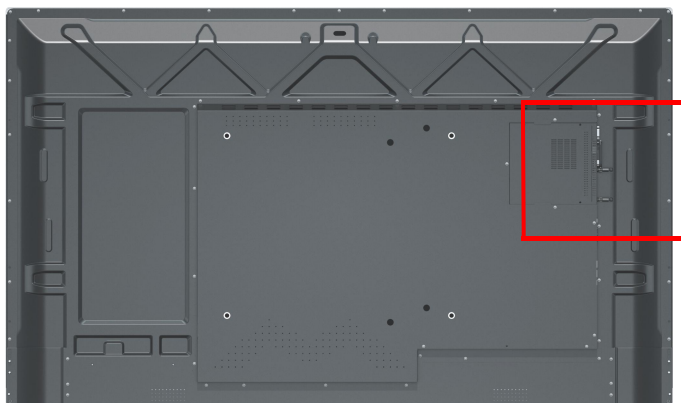
Step 1: Turn off the power, as shown in the figure.



Step 2: Insert the OPS computer into the groove of the all-in-one machine, as shown in the figure.

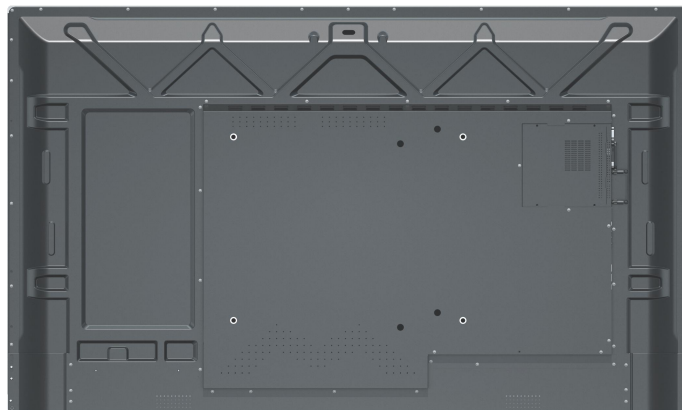


Step 3: Push the computer in place, fix the screws, and the installation is successful, as shown in the figure.



4.1 Front view

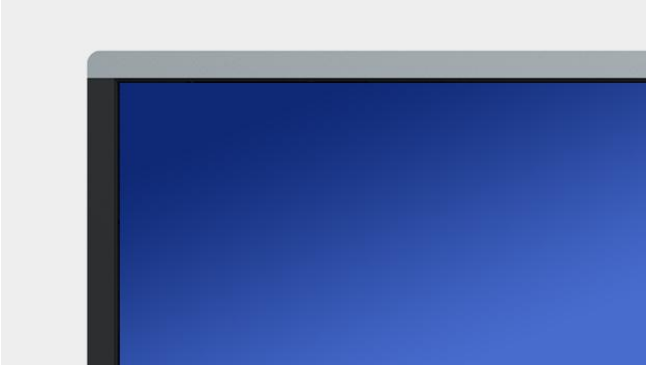
4.2 Rear view



4.3 Relevant structure size

Size	55"	65"	75"	86"
Screen display size(L*W)	1210*680 (mm)	1429*804 (mm)	1649*928 (mm)	1895*1066 (mm)
Overall size(L*W*T)	1258*744*80mm	1485*888*88mm	1707*1013*88mm	1953*1152*88mm
Packing size (L*W*H)	1360*165*885mm	1595*205*912mm	1872*250*1163mm	2115*265*1290mm
VESA hole size (L*W)	400×400mm	400×500mm	400×600mm	400×800mm
Net weight	22.55kg	38.2kg	50.6kg	65.1kg
Gross weight	27kg	47.9kg	64kg	79.6kg

4.4 Conference panel appearance features



Super narrow bezel design



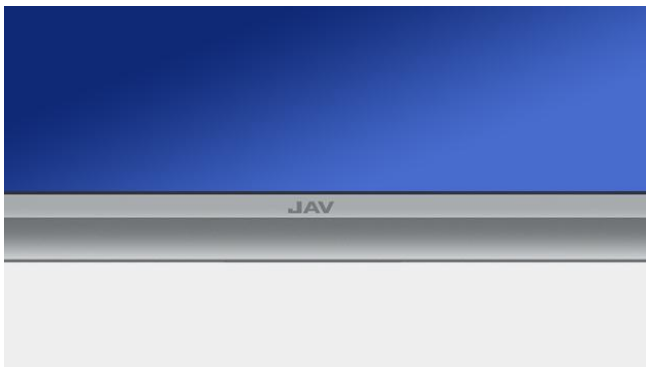
Outer corner protection zero seam



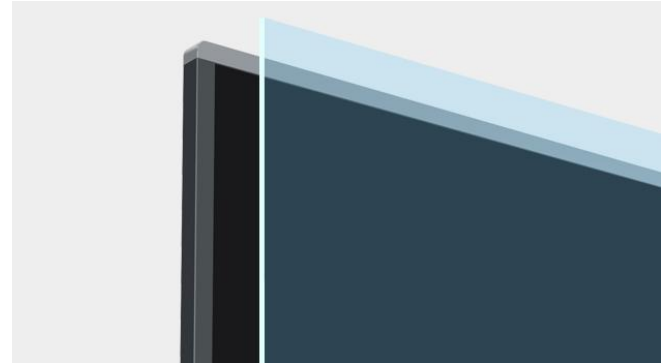
One button to start the switch



The front USB

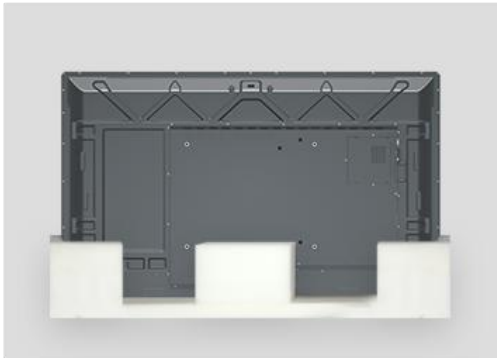


Laser LOGO



4MM tempered glass

5.1 Safe packaging without worry protection



Foam pad



Imported corrugated cardboard

5.2 Packaging accessories

Accessories with the machine	
Power cord	3m
Touch pen	2pcs (magnet)
Certificate of qualification	1pc
Antenna mast	3pcs

6.1 Two installation methods



Mobile stand installation

Wall mounted installation

6.2 Recommended model size

Recommended meeting flat panel size				
Model size	55"	65"	75"	86"
Area	10-15 m ²	15-25 m ²	25-35 m ²	≥35 m ²
Quantity of people	5-10 persons	10-25persons	25-40persons	≥40persons

7.1 Mobile stand (M33)



7.2 Parameters of mobile stand.

Stand model	M33
Finished product size after assembly(L*W*H)	1160×661×1597mm
Packing size (L*W*H)	1625×785×160mm
Net weight	18kg
Gross weight	23.5kg
weight capacity	100kg
Loadable model size	55~86 inches
Casters	3-inch mute wheel
Stand color	Grey black

7.3 Mobile stand (Y2000)



7.4 Parameters of mobile stand (Y2000)

Stand model	Y2000
Product color	Silver + black
Used material	Cold rolled steel, pickling surface treatment process, the black fine grinding sand electrostatic spraying
Max. weight capacity	136Kg / 100lbs
Lifting height range (level off the ground)	1280 mm to 1700 mm
Load-bearing capacity of the middle pallet (place documents)	20Kg / 100lbs
Base area size	L1300 x W650 mm (44 nylon casters with foot brake function)
Packing size	L1590 x W630x H220 mm
Recommended applicable whole machine size	55" to 100"

7.5 Universal all-in-one wall mount (optional)



Horizontal measurement

Drawing

Drilling hole

Mounting bracket

Installing machine

7.6 Universal all-in-one wall mount

Bracket model	BH-001
Product color	Matt black
Use material	Selected thick cold-rolled steel
Maximum load	≤80Kg
The distance from the wall	80 mm
Description	One-piece stamping, no need for splicing

7.7 Wireless screen mirroring

Intelligent wireless screen mirroring, realize the wireless casting of the computer to the conference flat panel, two-way control, interactive collaboration, simple and convenient.

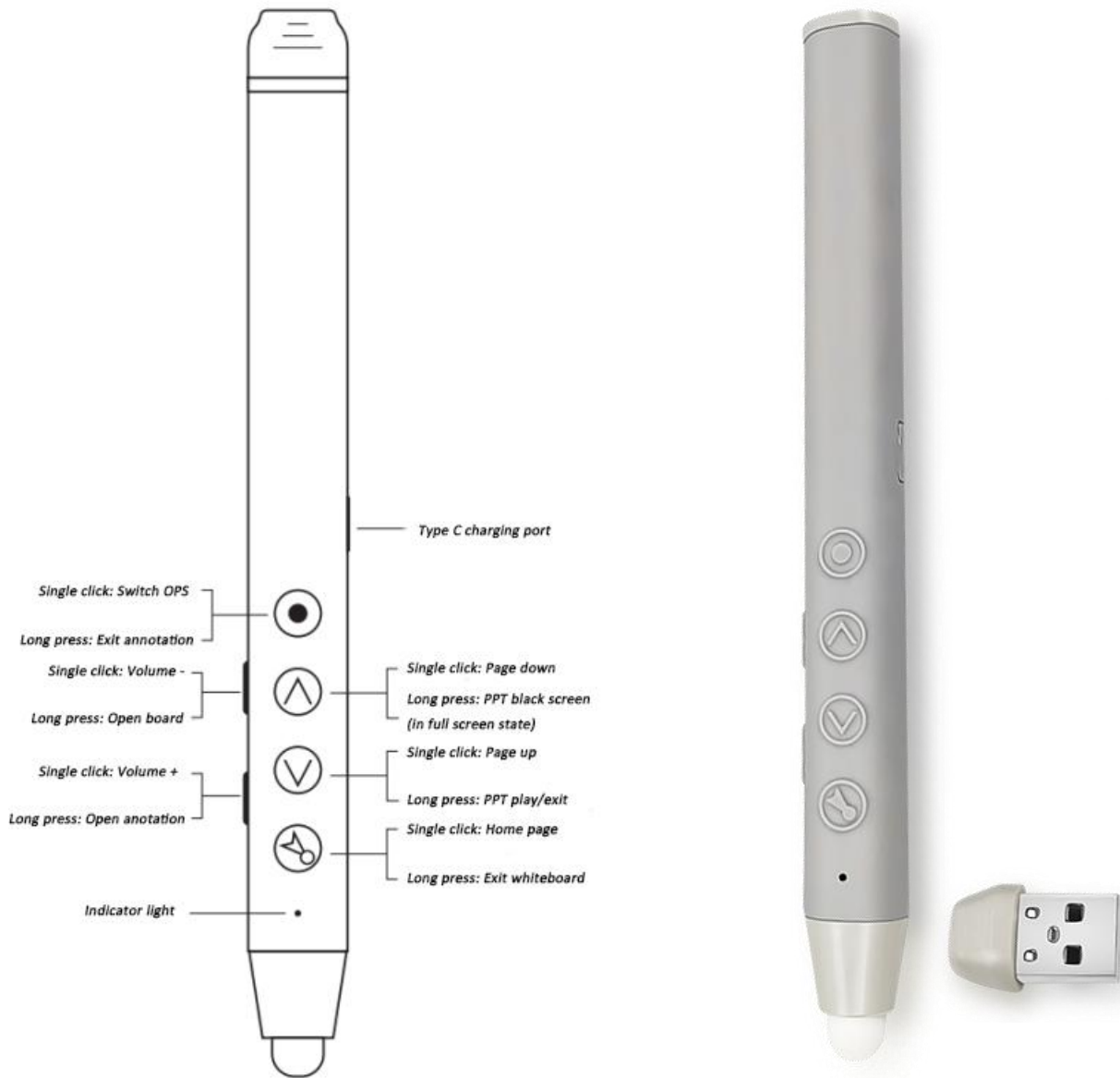


7.8 Parameters of the wireless screen mirroring.

Product model	DZ-S300
Adaptation operating system	Support Windows7、 Mac OS 10.6 or higher
Adaptation interface	USB2.0/3.0 TYPE A standard interface
Output image resolution	1920 x 1080
Number of output image frames	30 frames per second
Input image resolution	2K or 4K
Transfer Protocol	IEEE 802.11 a/g /n supports 2.4GHz and 5.0GHz dual-frequency transmission
Data transfer rate	300Mbps
Data transmission range	Maximum 15 meters, it is recommended to use the best within 10 meters, high-strength encryption to ensure information security
Outline dimensions	216 x 84 x 24 mm

7.9 Smart page turning pen


The product is made with 2.4GHz wireless technology and is developed for touch all-in-one machines, electronic whiteboards and PPT software. It is suitable for schools, educational institutions, and business to conduct demonstrations, lectures, conferences, and other supporting use in all scenarios.



Note: If used under PC system, the smart pen can only use the PPT page turning, volume increase and decrease, and full-screen display functions.


8.0 Camera

Suitable for areas that require remote communication, such as corporate internal communication, remote meetings, remote training, and remote teaching.

USB2.0 video conference camera	
	3x optical zoom lens, fixed aperture (F1.7-F3.0), 210 million pixels.
	Horizontal viewing angle: 84°, video format: 1080P30/720P30.
	Support OSD menu dome menu, speed matching 64 preset positions 4 cruises, cruise call/boundary scan/auto gain/white balance/image flip function.
	Support remote control, UVC protocol control, USB cable to control camera pan/tilt rotation, USB cable to supply power directly.
	Support Apple, LINUX, WIN7, XP system, supports all types of video software, built-in high-definition capture card, do not throw fast transmission of data frames.

8.1 Omnidirectional microphone.

High-performance full-range speakers, the meeting experience is clearer and smoother.

Omnidirectional microphone KS-G1S	
	Full-duplex voice Mandarin with clear technology, 360° no dead angle, pickup distance 3-4 meters.
	Built-in high-power speakers, AGC automatic gain control provides stable audio output.
	The industry's top echo cancellation technology, up to 256ms echo cancellation time.
	2.4G long-distance wireless transmission, stable signal.
	It can stand for a long time for 90 days, work continuously for 12 hours, charge the machine through the USB interface, Provide 1Ah fast charging.



Factories and production processes



CERTIFICATIONS



(ETR) Shenzhen Yitong Testing Technology Co., Ltd.

TEST REPORT
 Determination of Hazardous Substances

Report No: ET-210000237
 Applicant: Guangdong Deyan Technology Co., Ltd.
 Address: No. 32, Xinxu Road, Automobile Industry City, Huaibei District, Guangzhou, Guangdong Province, China, 510520
 EUT Name: Commercial LED display (display device), Commercial whitboard (display device), Interactive whitboard (display device), Automotive touch air-conditioner machine (display device), Conference whitboard (display device), Smart conference whitboard (display device), Smart warning whitboard (display device), Teaching touch air-conditioner machine (display device), Smart screen (display device), Use electronic screen (display device), Multimedia information publishing terminal (display device), Multimedia information terminal (display device), digital signage (display device), smart advertising machine (display device)

Model No: LED75"~LED70"~LED65"~LED60"~LED55"~LED50"~LED45"~LED40"~LED35"~LED30"~LED25"~LED20"~LED15"~LED10"~LED5"~LED3"~LED2"~LED1"
 Brand Name: N/A

Issue Date: 2021-05-24

Test Results: Please refer to following pages.

Conform:	Pass
----------	------

903, Henghai Building, 227, Futan Second District, Sandan community, Linghua street, Linghua District, Shenzhen
 Tel: +86 755 8223932 Fax: +86 755 27121940

QUALITY MANAGEMENT SYSTEM CERTIFICATE
 Certificate No. 0012100120008M400

Victo hereby certify that Guangdong Deyan Technology Co., Ltd. has been awarded this certificate for compliance with the standard GB/T 19001-2016 / ISO 9001:2015 The Quality Management System Applies in the following area: The R&D, Sales of Smart LED TV and Commercial Display Products/Interactive Whitboard, Smart Advertising Player

China Quality Certification Centre

CERTIFICATE OF CONFORMITY
 No. ET-21000237EC

Shenzhen ETR Standard Technology Co., Ltd.

Appliances: Guangdong Deyan Technology Co., Ltd. No. 32, Xinxu Road, Automobile Industry City, Huaibei District, Guangzhou, Guangdong Province, China, 510520
 Manufacturer: Guangdong Deyan Technology Co., Ltd. No. 32, Xinxu Road, Automobile Industry City, Huaibei District, Guangzhou, Guangdong Province, China, 510520

Product: Commercial LED display (display device), Commercial whitboard (display device), Interactive whitboard (display device), Multimedia touch all-in-one machine (display device), Conference whitboard (display device), Smart conference whitboard (display device), Smart warning whitboard (display device), Teaching touch air-conditioner machine (display device), Smart screen (display device), Use electronic screen (display device), Multimedia information publishing terminal (display device), Multimedia information terminal (display device), digital signage (display device), smart advertising machine (display device)

Model(s): LED65"~LED60"~LED55"~LED50"~LED45"~LED40"~LED35"~LED30"~LED25"~LED20"~LED15"~LED10"~LED5"~LED3"~LED2"~LED1"
 Brand Name: N/A

Test Standards: EN 55032:2015+A11:2020, EN 55035:2017, EN 61000-3-2:2014, EN 61000-3-3:2013+A1:2019

The EUT described above has been tested by us with the listed standards and found in compliance with the Council EMC Directive 2014/53/EU. It is possible to use CE marking to demonstrate the compliance with the EMC Directive.

The certificate applies to the listed sample above mentioned only and shall not imply an assessment of the whole production. It is only valid in connection with the test report number: ET-21000237E

