



The L-PROFILE SP300 is using the innovative 5 colors optic design. It comes with intelligent HSIC color management system, can deliver full range of colors. With precise preset 16 common colors, 2 700 K–8 000 K CCT, the perfect dimming curve, and crystal-clear projection. It is also compatible with all our existing popular lenses. The L-PROFILE SP300 is designed for the professional theatre, opera, rental and show applications. Can be equipped with optional accessories: colour filter frame, an iris diaphragm and glass or metal gobo holder.

PRODUCT CODE: L-SP300

TECHNICAL SPECIFICATION

OPTICAL SYSTEM

Light source: 250 W LED
CCT: 2 700 K–8 000 K
CRI: Ra \geq 90
CQS: >90
Beam angle (with optional lens tube): 5° / 10° / 14° / 19° / 26° / 36° / 50° / 15°-30° / 25°-50°

CONTROL SYSTEM

Protocols: DMX512, RDM
Dimmer: 0–100 % 16 Bit
Display: On board Control, 0–25 Hz Strobe
DMX channels: HSIC (8 chs), SDO (6 chs), SIMPLE (8 chs), COLOR 8bit (11 chs), COLOR 16bit (17 chs)

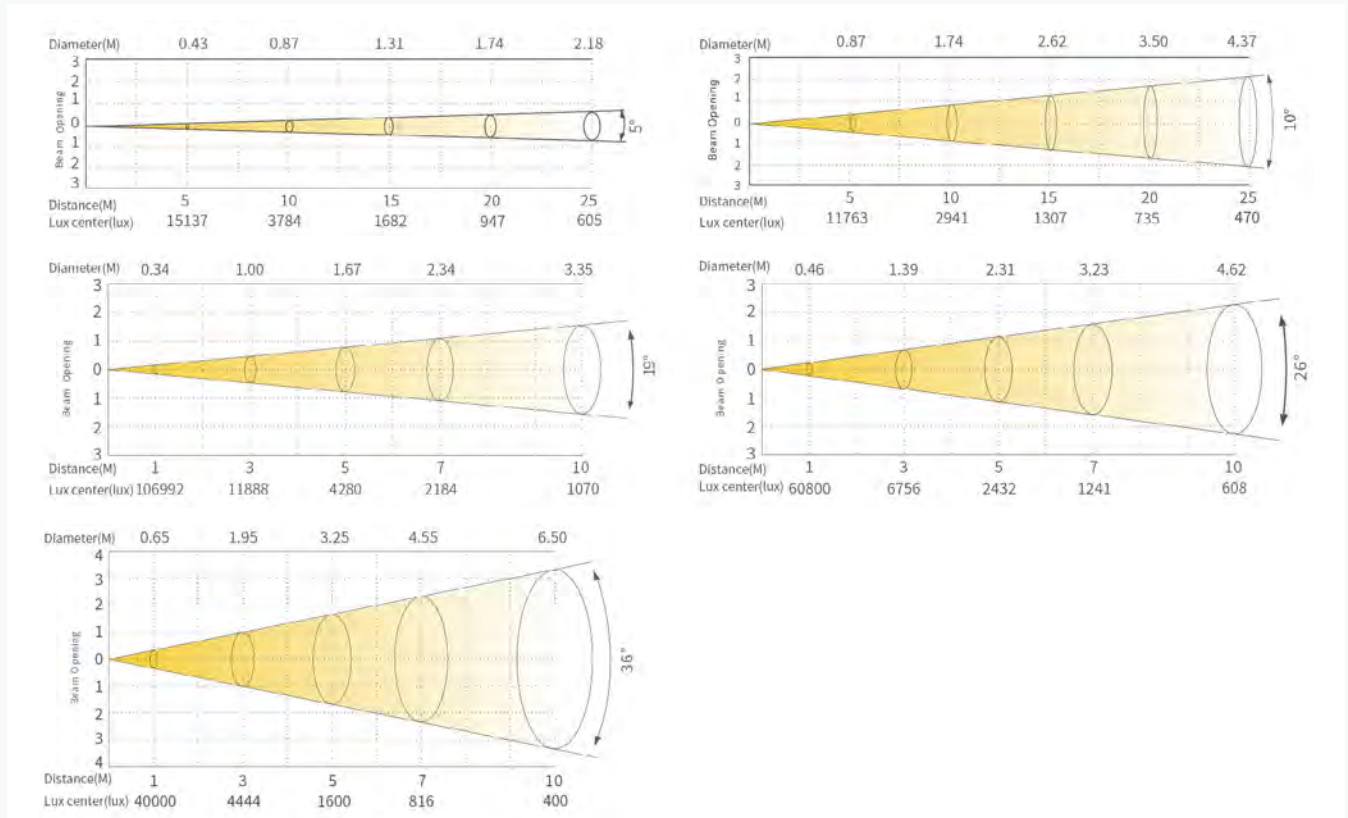
ELECTRICAL SPECS

Voltage: 100–240 V AC, 50/60 Hz
Max. power: 300 W
Drive Current: 3A
Power Connection: Power in and out
DMX XLR: DMX in and out

PHYSICAL SPECS

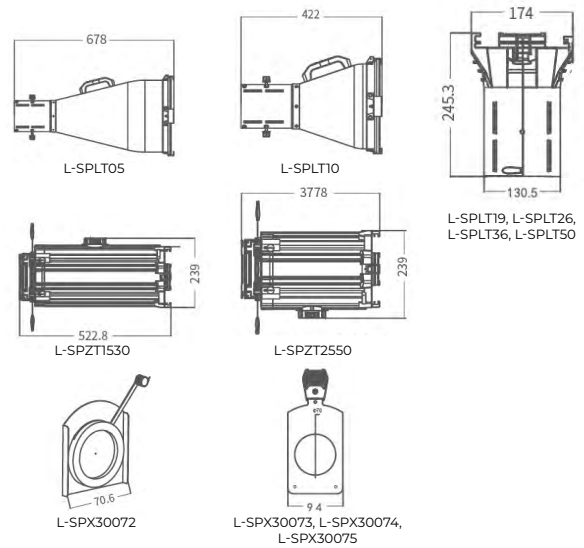
IP rating: IP20
Ambient temp: 0°C–45°C
Cooling: forced convection
Housing: die-cast aluminum
Size: 700 x 301 x 233 mm
Weight: 10.3 kg

PHOTOMETRICS



ACCESSORIES (not included)

PRODUCT CODE	ACCESSORY
L-SPLT05	Lens Tube 5° for L-Profile ECL
L-SPLT10	Lens Tube 10° for L-Profile ECL
L-SPLT19	Lens Tube 19° for L-Profile ECL
L-SPLT26	Lens Tube 26° for L-Profile ECL
L-SPLT36	Lens Tube 36° for L-Profile ECL
L-SPLT50	Lens Tube 50° for L-Profile ECL
L-SPZT1530	Lens Tube 15°-30° Zoom for L-Profile ECL
L-SPZT2550	Lens Tube 25°-50° Zoom for L-Profile ECL
L-SPX30072	Iris for L-Profile ECL
L-SPX30073	Glass gobo holder for L-Profile ECL
L-SPX30074	Metal gobo holder for L-Profile ECL
L-SPX30075	Soft-edge gobo holder for L-Profile ECL
	Steel security cable, l=60cm



DIMENSIONS

