

C 5215-64

TWO-WAY PASSIVE SPEAKER

DESCRIPTION

The C5215-64 is a full range extremely versatile controlled narrow dispersion two-way loudspeaker system for medium throw applications.

The high-frequency section is a constant directivity horn loaded to a 1.4" neodymium compression driver with a 2.5" diaphragm assembly for smooth, controlled dispersion. The 60° x 40° horn design offers higher sensitivity for longer distance applications. The low-frequency transducer is a 15" woofer with a 3" voice coil. The crossover is easily bypassed for bi-amp via a recessed changeover switch.



FEATURES

- 60° x 40° CMD (Coverage Matching Design) constant directivity horn
- 1.4" compression driver with 2,5" diaphragm assembly
- 15" woofer with 3" voice coil
- Dual-function design: built in passive crossover or external bi-amp
- Rotatable Horn System for horizontal cabinet mounting applications
- HF driver AMCDP (Active Mosfet Compression Driver Protection)
- LICC (Low Impedance Compensated Crossover) network
- 14 Suspension points (M10)
- 35 mm standard internal pole mount

TECHNICAL SPECIFICATIONS

Acoustical specifications

Frequency Response (-10dB):	48 Hz ÷ 20000 Hz
Max SPL @ 1m:	134 dB
Horizontal coverage angle:	60°
Vertical coverage angle:	40°
Directivity index Q:	20
System Sensitivity:	101 dB

Power section

Nominal Impedance:	8 ohm
Power Handling:	500 W
Peak Power Handling:	2000 W PEAK
Recommended Amplifier:	1000 W
Protections:	Dynamic active mosfet
Crossover Frequencies:	1200 Hz

Transducers

Compression Driver:	1.4", 2.5" v.c
Woofers:	15", 3.0" v.c

Input/Output section

Input connectors:	Speakon® NL4
Output connectors:	Speakon® NL4

Standard compliance

CE marking:	Yes
-------------	-----

Physical specifications

Cabinet/Case Material:	Baltic birch plywood
Hardware:	14 x M10, multiplates (top and bottom)
Pole mount/Cap:	Yes
Grille:	Steel with robust double mesh polyester clothing
Color:	Black

Size

Height:	695 mm / 27.36 inches
Width:	430 mm / 16.93 inches
Depth:	460 mm / 18.11 inches
Weight:	35.5 kg / 78.26 lbs

Shipping informations

Package Height:	779 mm / 30.67 inches
Package Width:	584 mm / 22.99 inches
Package Depth:	534 mm / 21.02 inches
Package Weight:	40 kg / 88.18 lbs

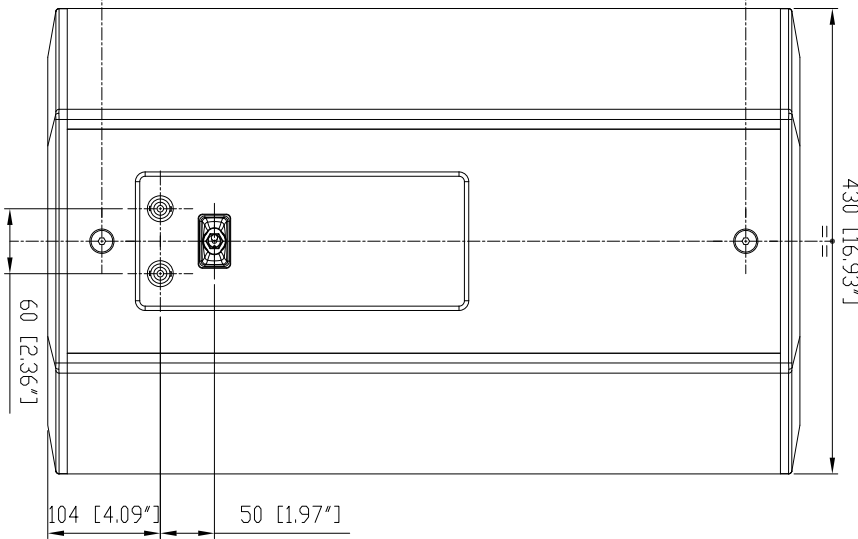
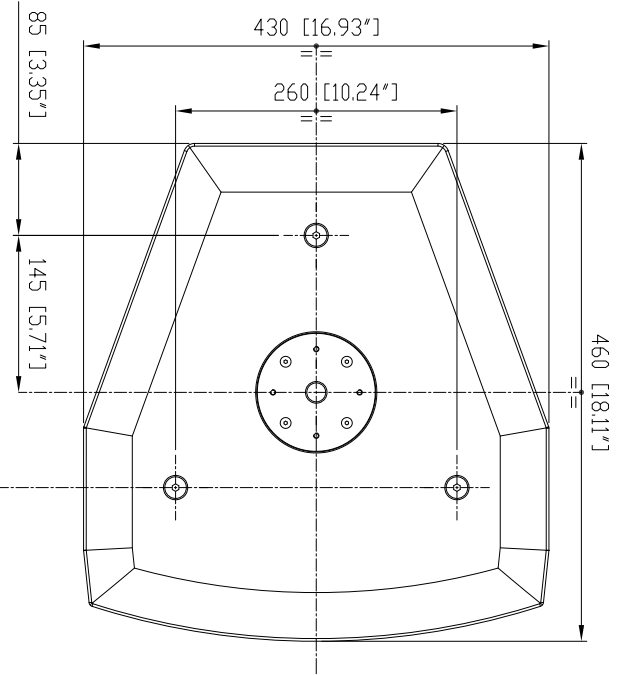
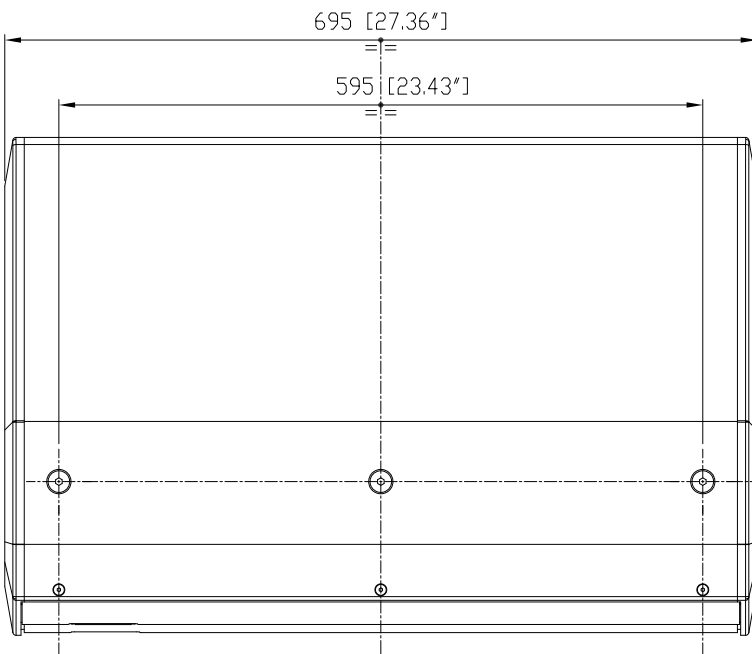
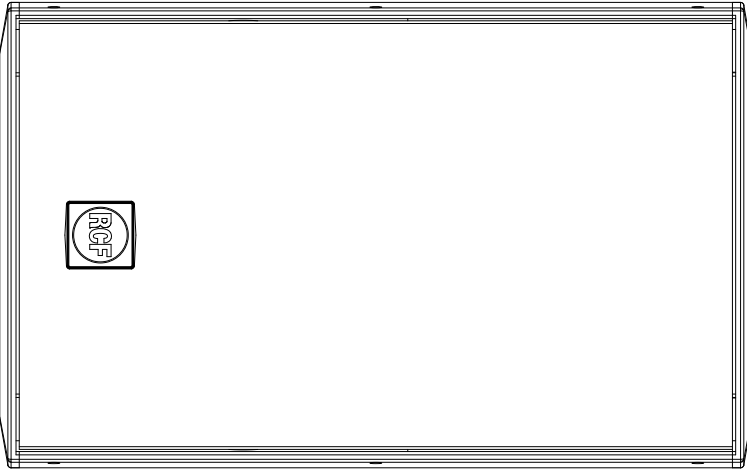
PART NUMBER

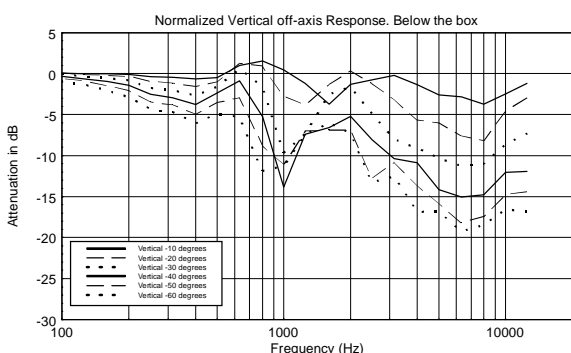
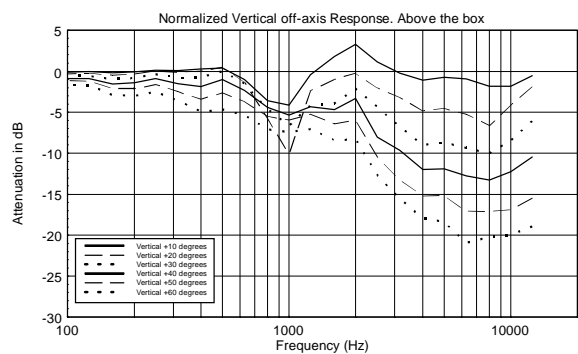
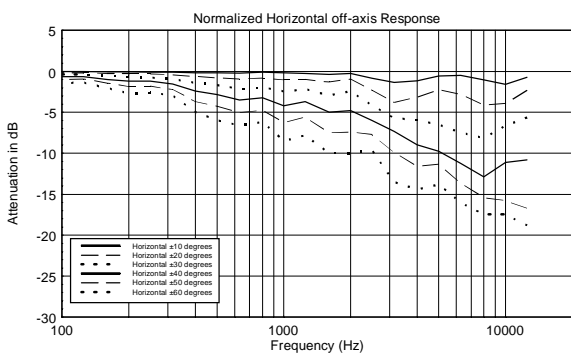
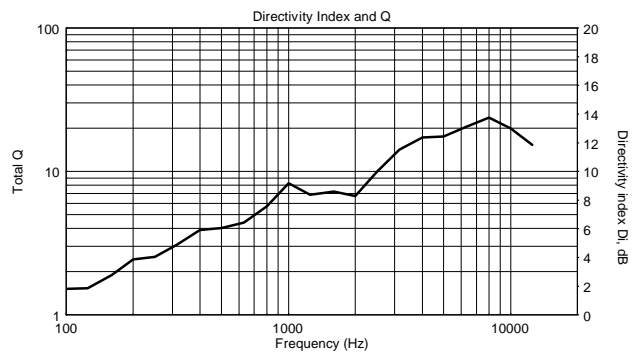
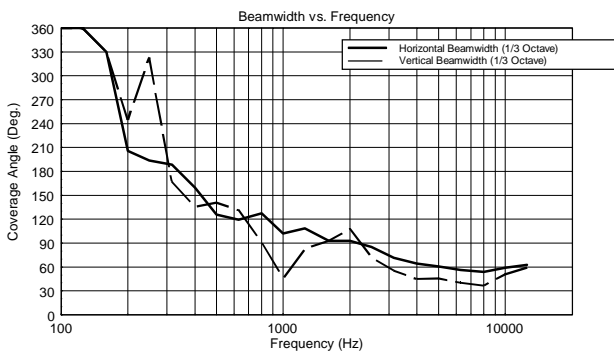
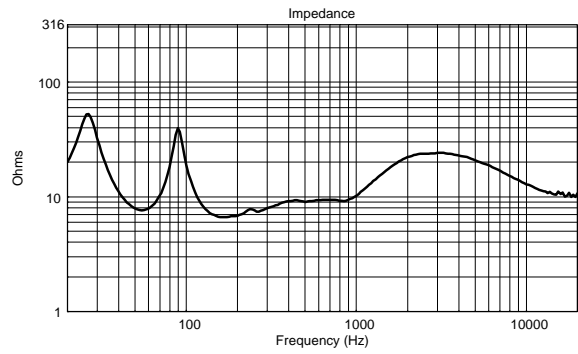
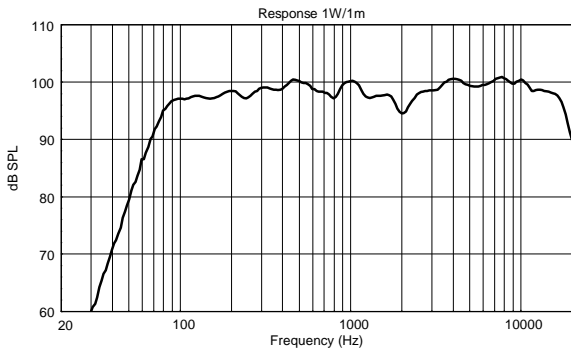
- **13000310**

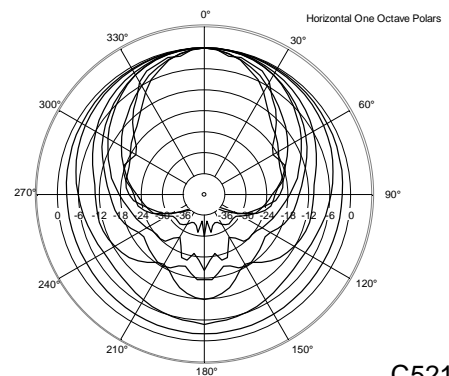
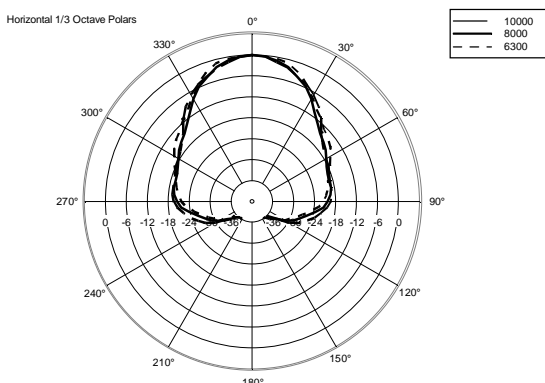
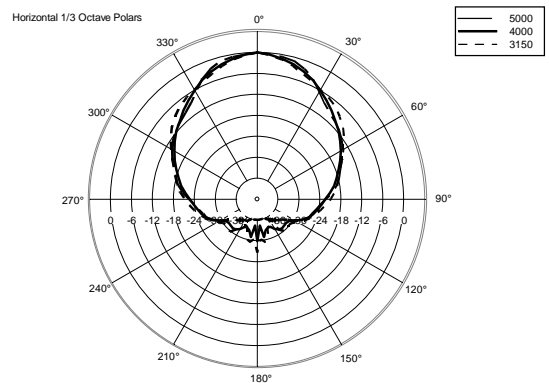
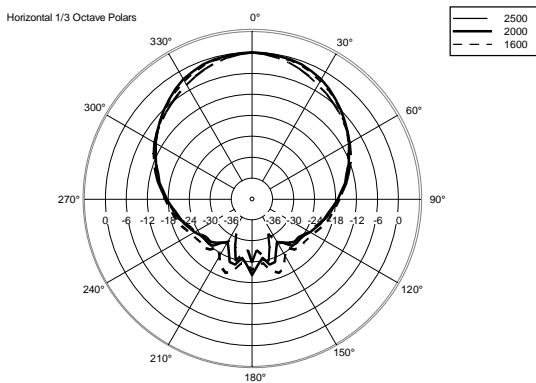
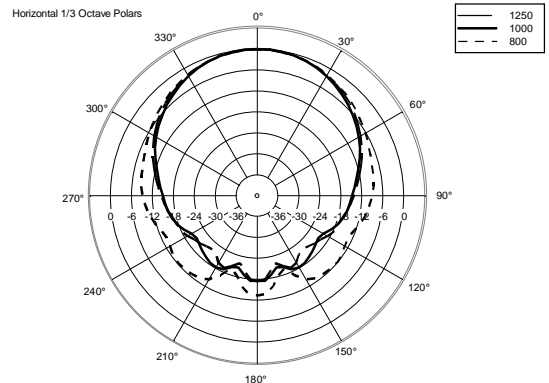
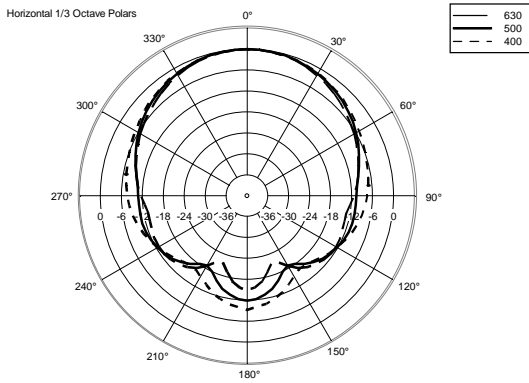
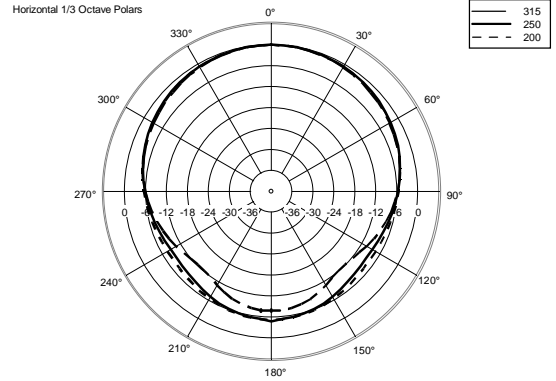
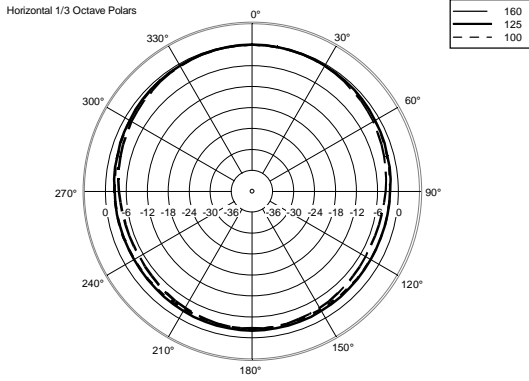
C 5215-64

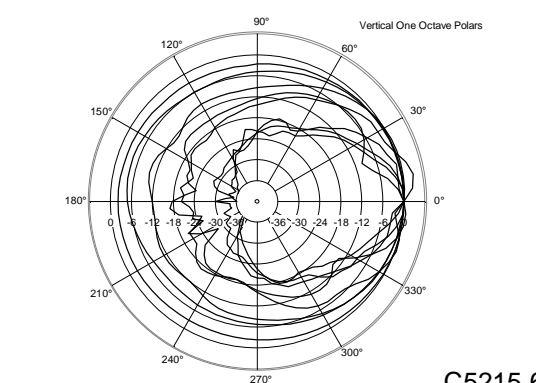
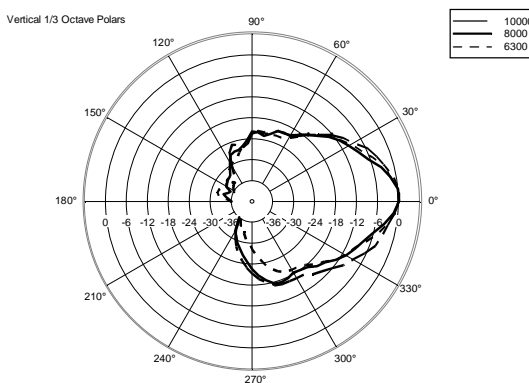
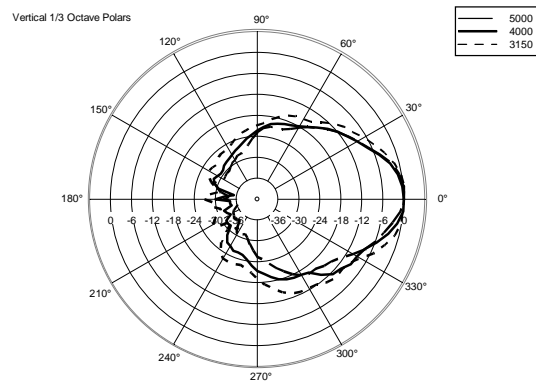
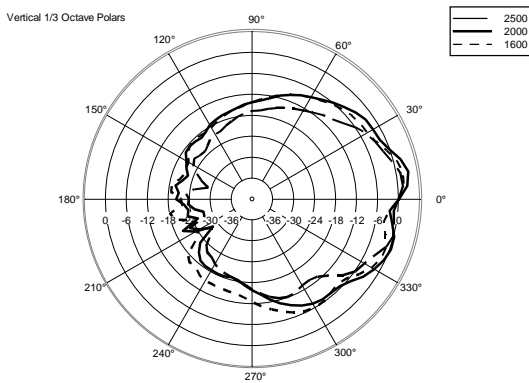
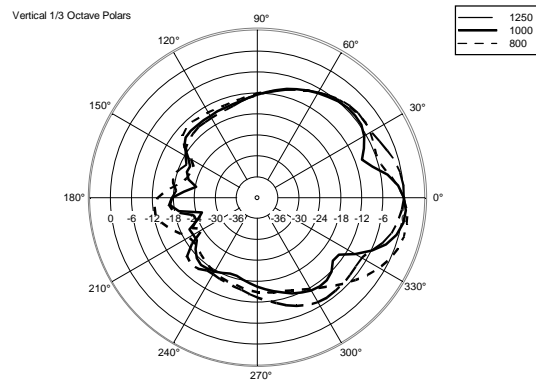
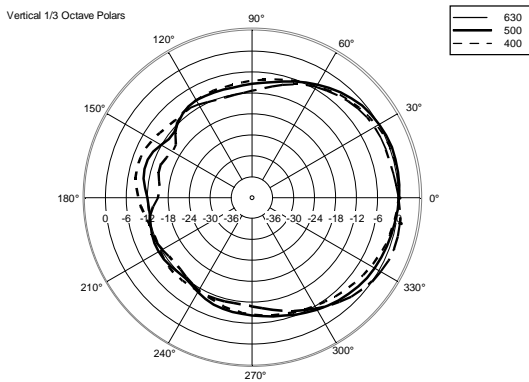
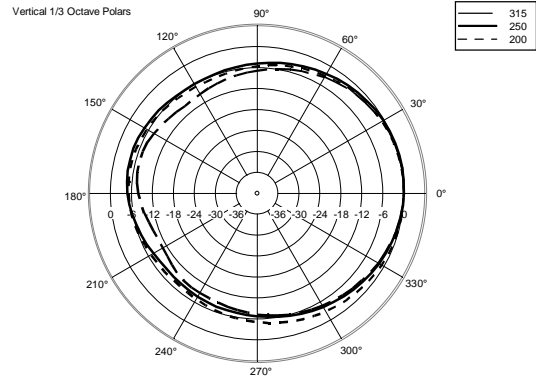
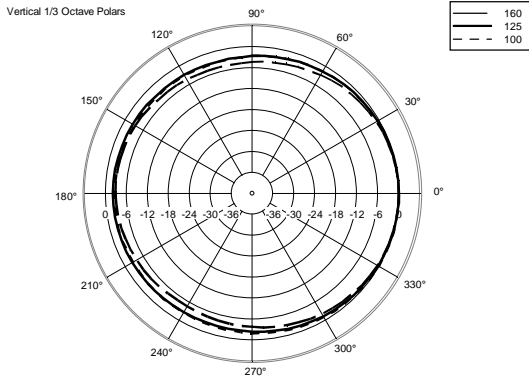
EAN 8024530009281

CS215 NEW









ACCESSORIES



FLYING BRACKET FL-BR NC 12-15

PART NUMBER **13360201**
EAN: 8024530007478



HORIZONTAL BRACKET H-BR 2X NC15

PART NUMBER **13360193**
EAN: 8024530007409
