

NXL 24-A MK2

ACTIVE TWO-WAY ARRAY

DESCRIPTION

NXL 24-A MK2 is a line array column speaker masterfully engineered from the ground up to deliver stellar audio performance for Bands, DJs, Clubs, and Rental Companies. The best-in-class combination of premium RCF transducers and a 2100W two-channel amplifier produce coherent 100° x 30° coverage for the listening area with up to 132 dB. The two-way design features four 6" neodymium woofers and a 3" driver on an asymmetrical waveguide. The horn's design delivers accurate sound to the coverage area without tilting the enclosure. The speaker delivers an extended frequency range down to 60 Hz and can be used as a stand-alone speaker, flown, or coupled with another NXL 24-A MK2 for extended coverage. Pairing the speaker with subwoofers delivers full-range power for medium-sized concerts and DJ systems. Blending RCF proprietary FiRPHASE and Bass Motion Control DSP processing, the NXL 24-A MK2 speaker is perfectly tuned for absolute sound clarity and deep, powerful bass response. The rugged, tour-ready, high-quality baltic birch plywood cabinet is easy to carry and installed securely using the dedicated rigging points.

FEATURES

- Up to 132 dB Sound Pressure Level
- 2100W Class-D Amplifier
- 100° x 30° Constant Directivity Coverage Angle
- 3" Titanium Neodymium Compression Driver
- 4 x 6" High Power Neodymium Woofers
- 60-20000 Hz linear Frequency Response
- Bass Motion Control and FiRPHASE processing
- 4 x M8 Rigging Points and 4 x Quick Lock



TECHNICAL SPECIFICATIONS

Acoustical specifications	Frequency Response:	60 Hz ÷ 20000 Hz
	Max SPL @ 1m:	132 dB
	Horizontal coverage angle:	100°
	Vertical coverage angle:	30°
Transducers	Compression Driver:	1 x 1.4" neo, 3.0" v.c
	Woofers:	4 x 6.0" neo, 1.5" v.c
Input/Output section	Input signal:	bal/unbal
	Input connectors:	Combo XLR/Jack
	Output connectors:	XLR
	Input sensitivity:	+4 dBu
Processor section	Crossover Frequencies:	800
	Protections:	Thermal, Excurs., RMS
	Limiter:	Soft Limiter
	Controls:	Linear, 2 Speakers, High-Pass, Volume
Power section	Total Power:	2100 W Peak
	High frequencies:	700 W Peak
	Low frequencies:	1400 W Peak
	Cooling:	Convection
	Connections:	Powercon IN/OUT
Standard compliance	CE marking:	Yes
Physical specifications	Cabinet/Case Material:	Baltic birch plywood
	Hardware:	4 x M8, 4 x quick lock
	Handles:	2 side
	Pole mount/Cap:	Yes
	Grille:	Steel
	Color:	Black
Size	Height:	1056 mm / 41.57 inches
	Width:	201 mm / 7.91 inches
	Depth:	274 mm / 10.79 inches
	Weight:	24.4 kg / 53.79 lbs
Shipping informations	Package Height:	320 mm / 12.6 inches
	Package Width:	1080 mm / 42.52 inches
	Package Depth:	230 mm / 9.06 inches
	Package Weight:	27.5 kg / 60.63 lbs



PART NUMBER

• **13000751**

NXL 24-A MK2

115V

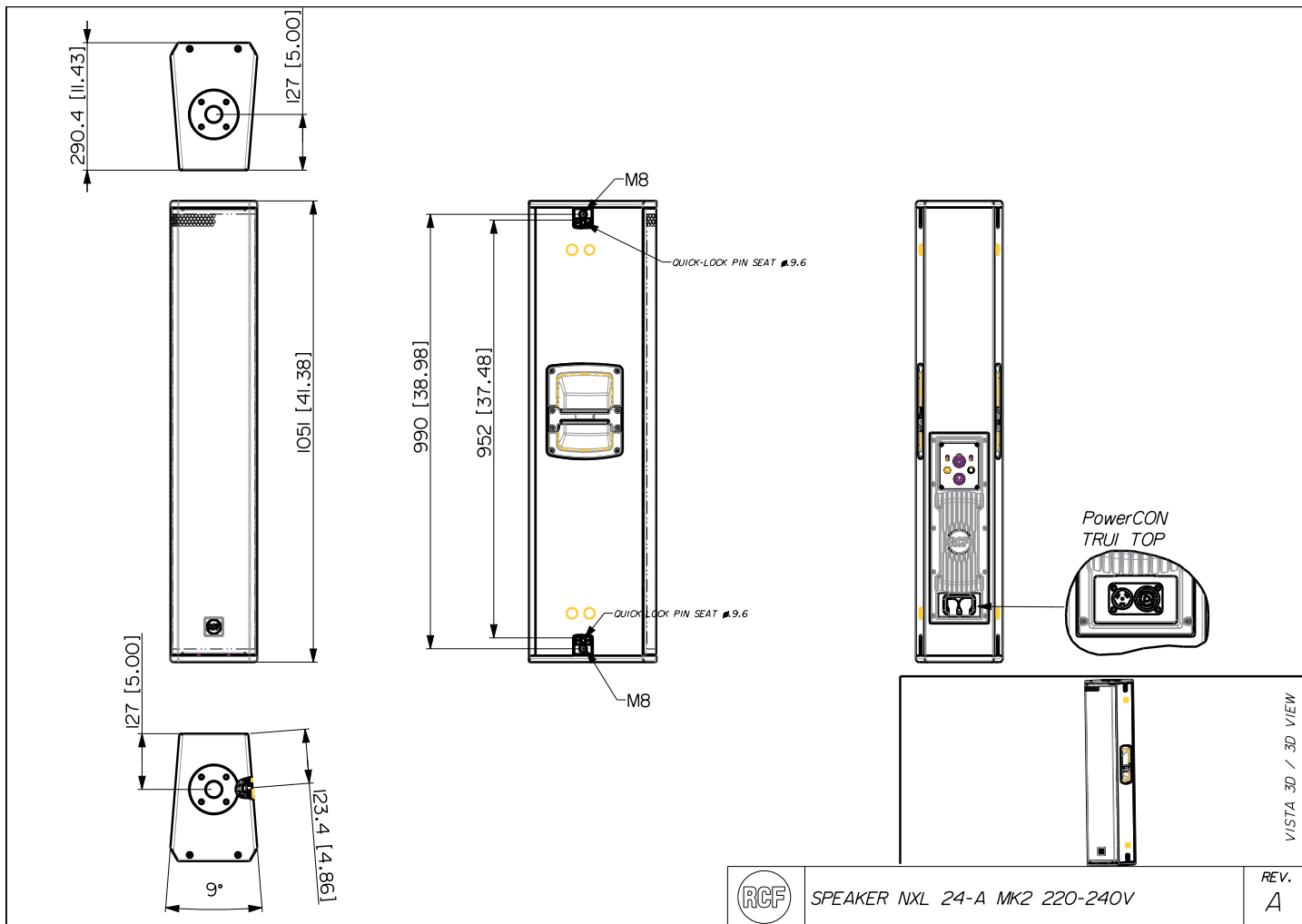
EAN 8024530019877

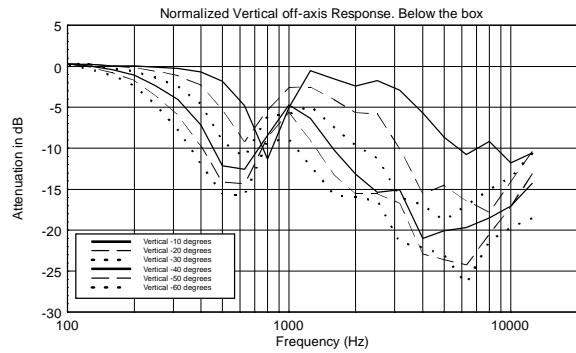
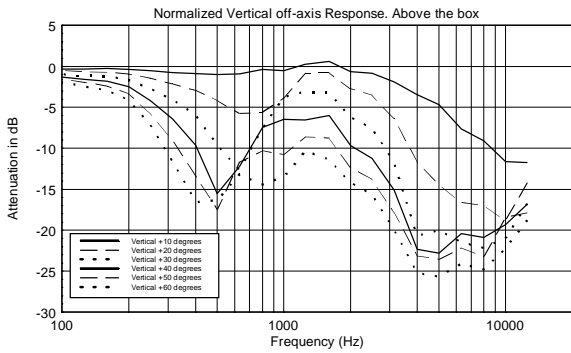
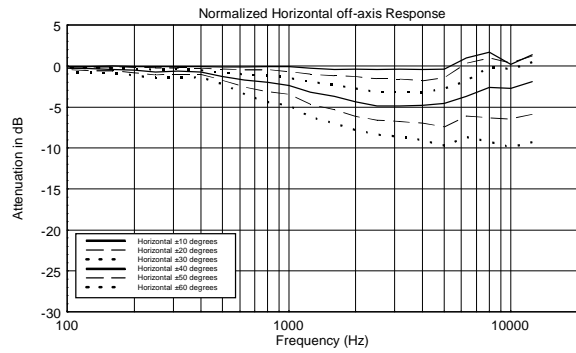
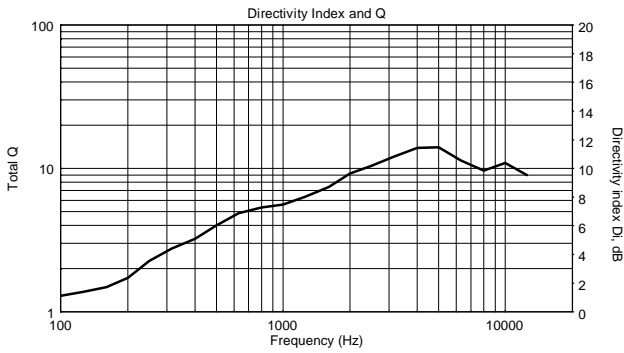
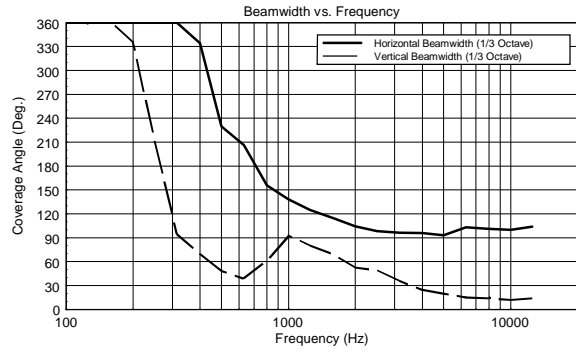
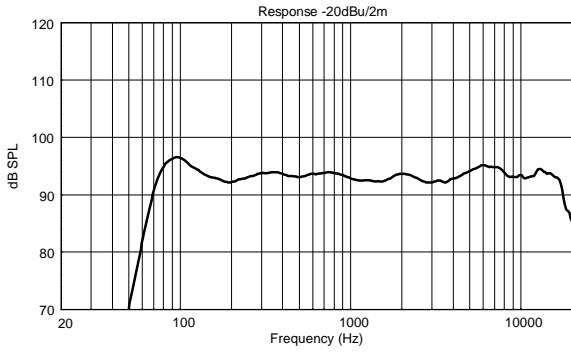
• **13000610**

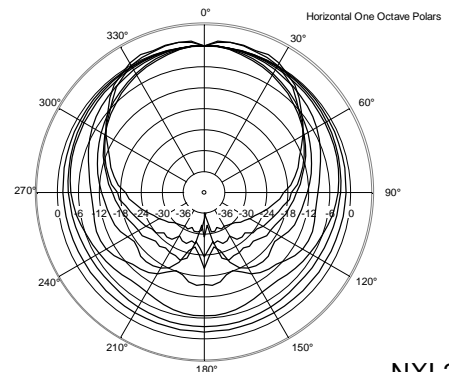
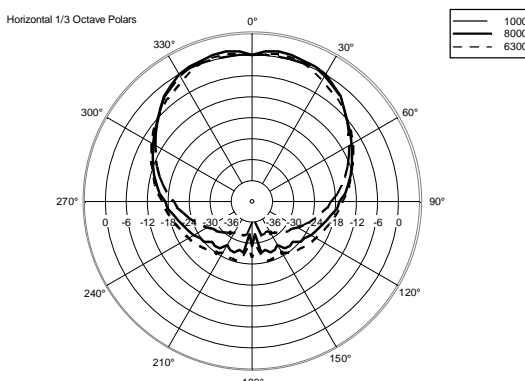
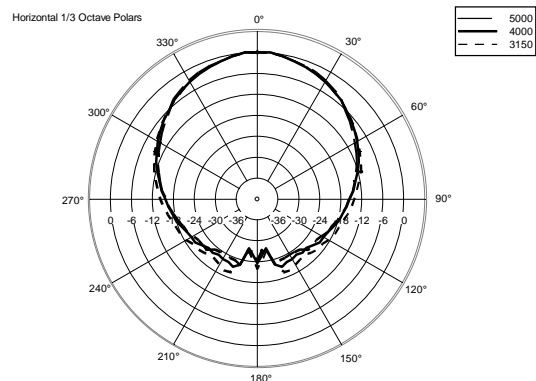
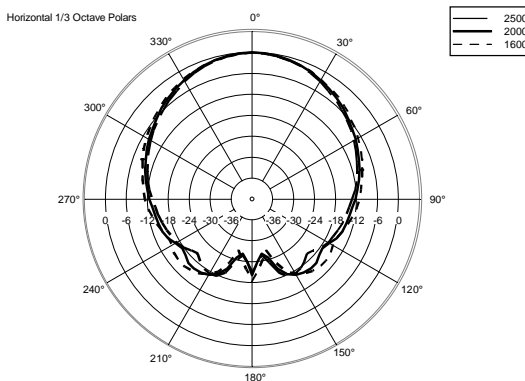
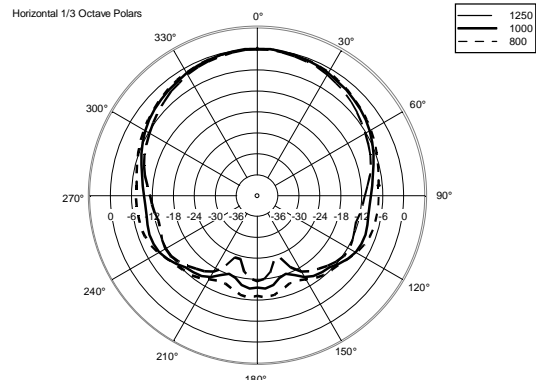
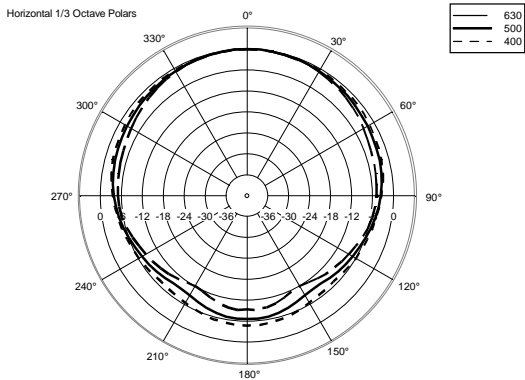
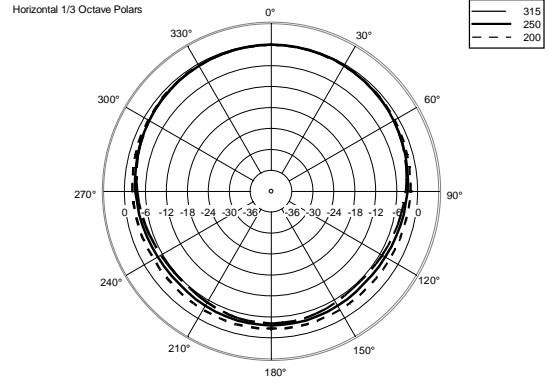
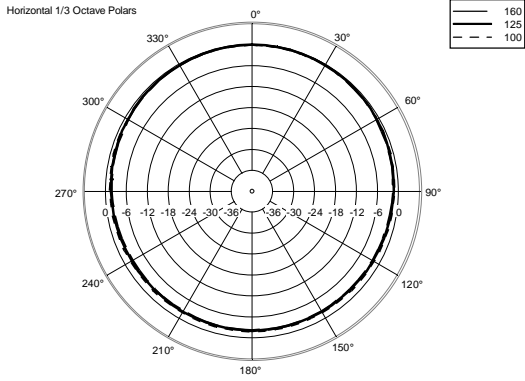
NXL 24-A MK2

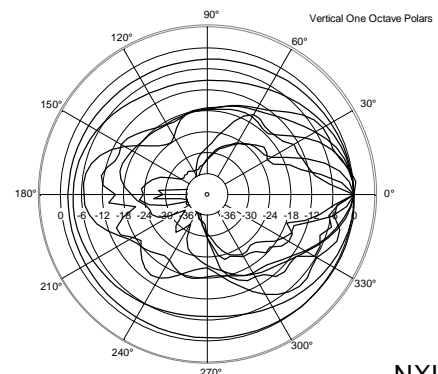
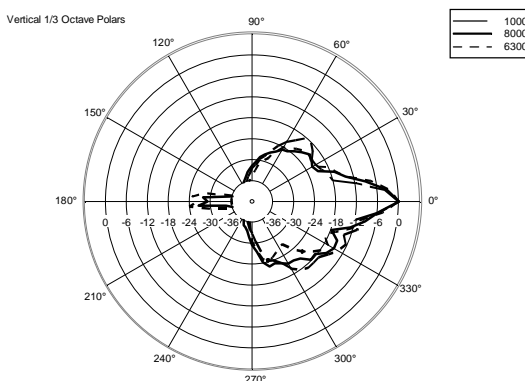
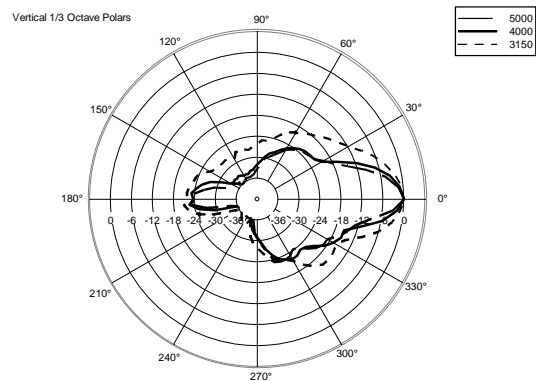
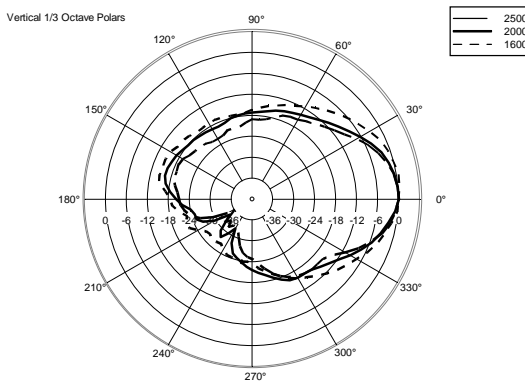
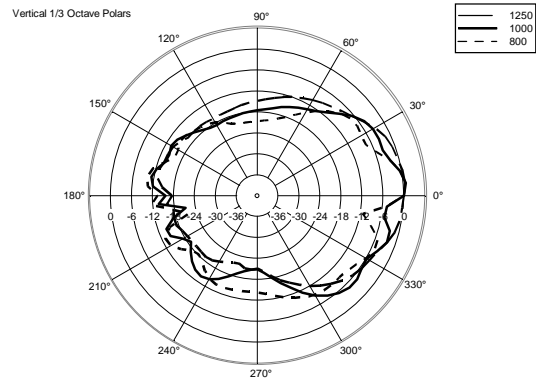
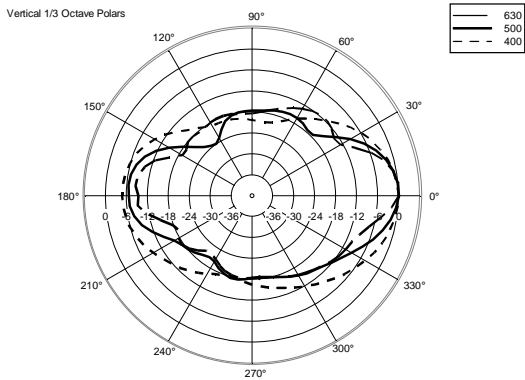
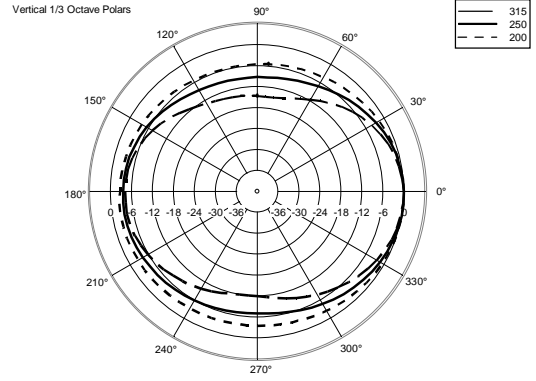
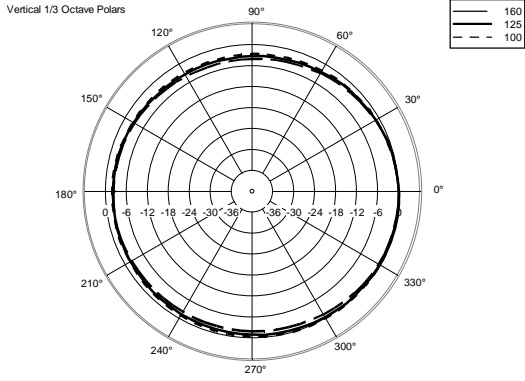
220-240V

EAN 8024530019884









ACCESSORIES

AC PMA - POLE MOUNT

PART NUMBER **13360034**
EAN: 8024530007713

AC PM-M20

PART NUMBER **13360067**
EAN: 8024530014599

AC PMX POLE MOUNT M20

PART NUMBER **13360232**
EAN: 8024530010058

AC PRO-FS PROFESS. LOCKING FLOOR STAND

PART NUMBER **13360109**
EAN: 8024530006471

AC PRO-PM PROFESS. LOCKING POLE MOUNT

PART NUMBER **13360110**
EAN: 8024530006488

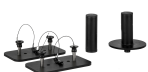
FLY BAR FL-B NXL 24

PART NUMBER **13360278**
EAN: 8024530015756

LINK BAR FL-B LINK NXL 24

PART NUMBER **13360279**
EAN: 8024530016487

POLE MOUNT KIT NXL24-A

PART NUMBER **13360280**
EAN: 8024530018665

STACKING KIT NXL24-A

PART NUMBER **13360281**
EAN: 8024530018689