

# NXL 44-A MK2

## ACTIVE TWO-WAY ARRAY

### DESCRIPTION

NXL 44-A MK2 is a line array column speaker masterfully engineered from the ground up to deliver stellar audio performance for Bands, DJs, Clubs, and Rental Companies. The best-in-class combination of premium RCF transducers and a 2,100W two-channel amplifier produce coherent 100° x 25° coverage for the listening area up to 135 dB SPL. The two-way design features three 10" neodymium woofers and a 3" driver on an asymmetrical waveguide. The horn's design delivers accurate sound to the coverage area without tilting the enclosure. The speaker delivers an extended frequency range down to 45 Hz and can be used as a stand-alone speaker, flown, or coupled with another NXL 44-A MK2 for extended coverage. Pairing the speaker with subwoofers delivers full-range power for medium-sized concerts and DJ systems. Blending RCF proprietary FiRPHASE and Bass Motion Control DSP processing, the NXL 44-A MK2 speaker is perfectly tuned for absolute sound clarity and deep, powerful bass response. The rugged, tour-ready, high-quality baltic birch plywood cabinet is easy to carry and installed securely using the dedicated rigging points.

### FEATURES

- Up to 135 dB Sound Pressure Level
- 2100W Class-D Amplifier
- 100° x 25° Constant Directivity Coverage Angle
- 3" Titanium Neodymium Compression Driver
- 3 x 10" High Power Neodymium Woofers
- 45-20000 Hz linear Frequency Response
- Bass Motion Control and FiRPHASE processing
- 8 x M8 Rigging Points and 8 x Quick Lock
- IP Rated Powercon TRUE1 TOP IN/OUT



## TECHNICAL SPECIFICATIONS

<b>Acoustical specifications</b>	Frequency Response:	45 Hz ÷ 20000 Hz
	Max SPL @ 1m:	135 dB
	Horizontal coverage angle:	100°
	Vertical coverage angle:	25°
<b>Transducers</b>	Compression Driver:	1 x 1.4" neo, 3.0" v.c
	Woofers:	3 x 10" neo, 2.5" v.c
<b>Input/Output section</b>	Input signal:	bal/unbal
	Input connectors:	Combo XLR/Jack
	Output connectors:	XLR
	Input sensitivity:	-2 dBu/+4 dBu
<b>Processor section</b>	Crossover Frequencies:	800
	Protections:	Thermal, Excurs., RMS
	Limiter:	Soft Limiter
	Controls:	Linear, 2 Speakers, High-Pass, Volume
<b>Power section</b>	Total Power:	2100 W Peak
	High frequencies:	700 W Peak
	Low frequencies:	1400 W Peak
	Cooling:	Convection
	Connections:	Powercon IN/OUT
<b>Standard compliance</b>	CE marking:	Yes
<b>Physical specifications</b>	Cabinet/Case Material:	Baltic birch plywood
	Hardware:	8 x M8, 8 x quick lock
	Handles:	2 side
	Pole mount/Cap:	Yes
	Grille:	Steel
	Color:	Black
<b>Size</b>	Height:	1080 mm / 42.52 inches
	Width:	297.5 mm / 11.71 inches
	Depth:	373 mm / 14.69 inches
	Weight:	33.4 kg / 73.63 lbs
<b>Shipping informations</b>	Package Height:	400 mm / 15.75 inches
	Package Width:	1115 mm / 43.9 inches
	Package Depth:	327 mm / 12.87 inches
	Package Weight:	35.5 kg / 78.26 lbs



**PART NUMBER**

• **13000756**

NXL 44-A MK2

115V

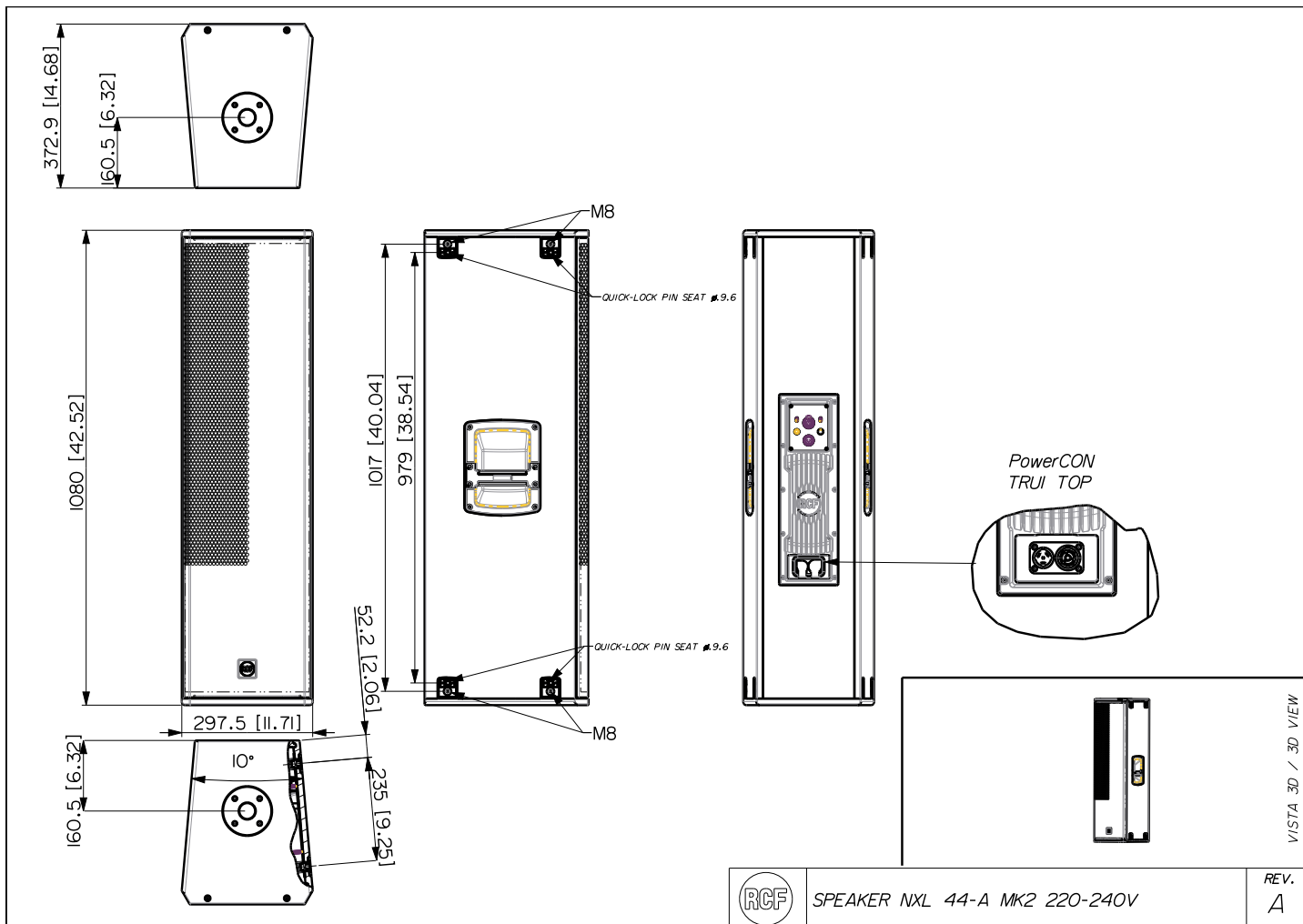
EAN 8024530019853

• **13000609**

NXL 44-A MK2

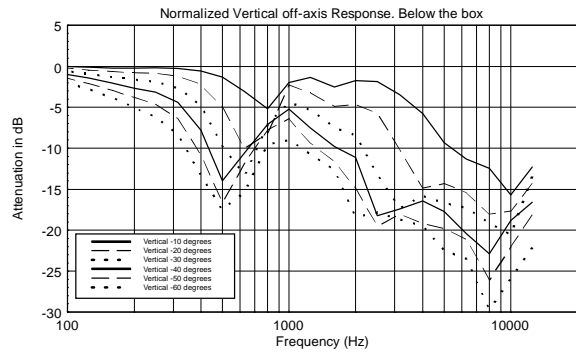
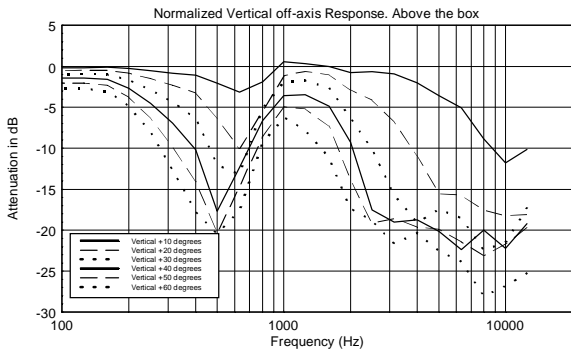
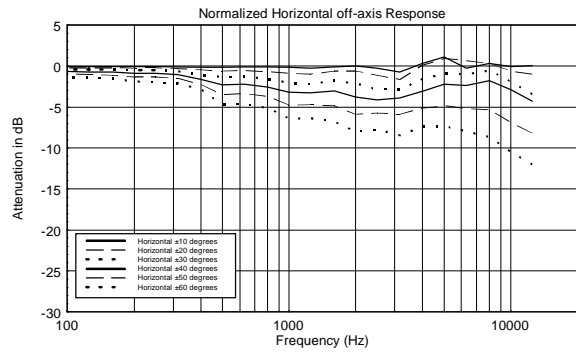
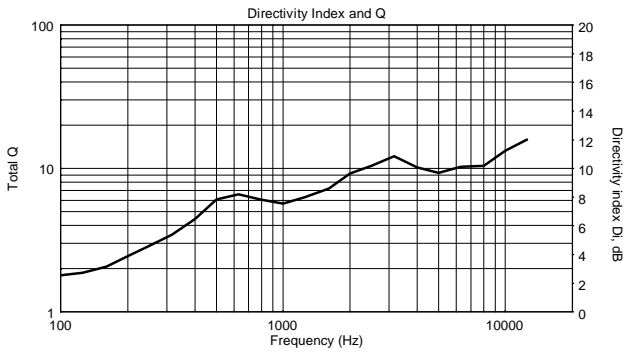
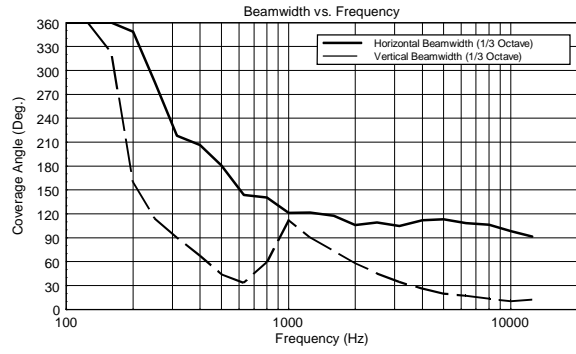
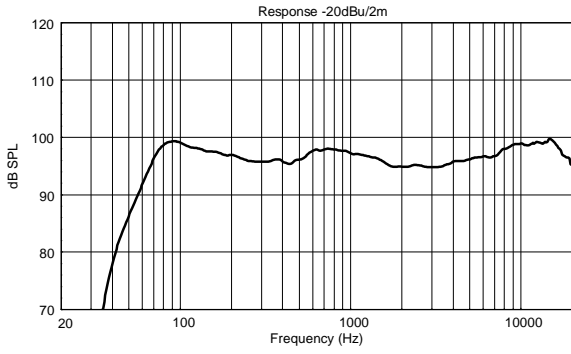
220-240V

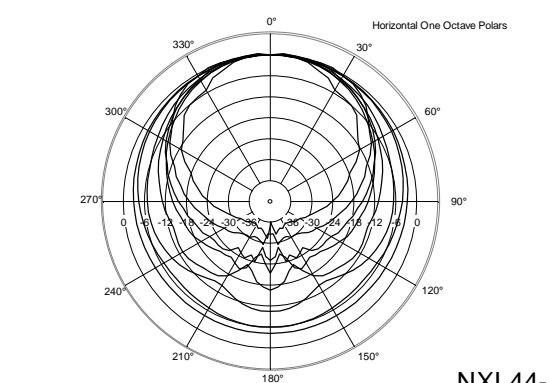
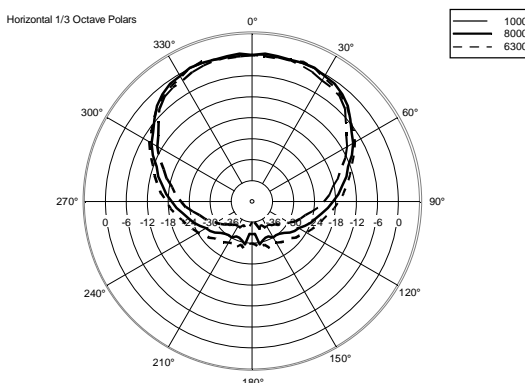
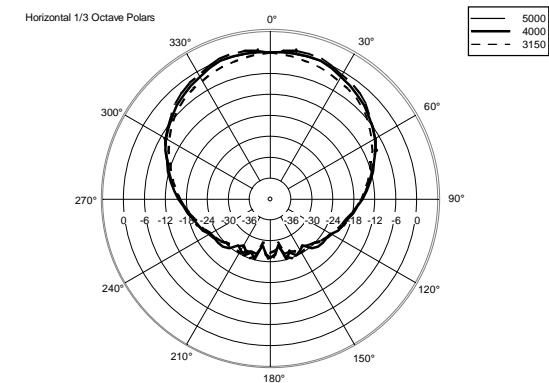
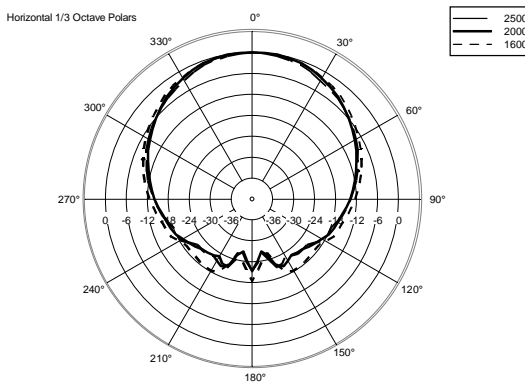
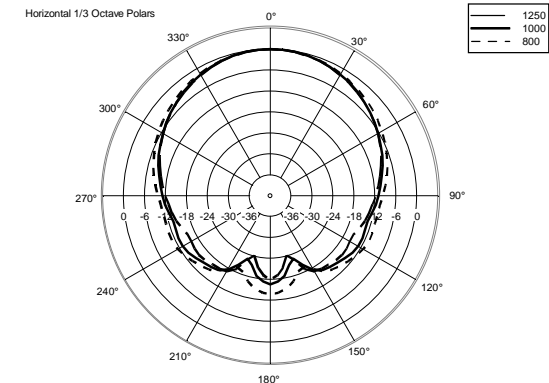
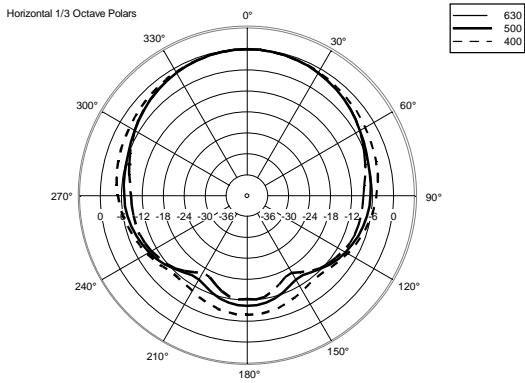
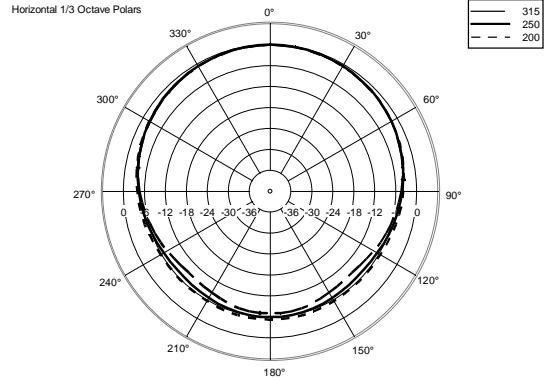
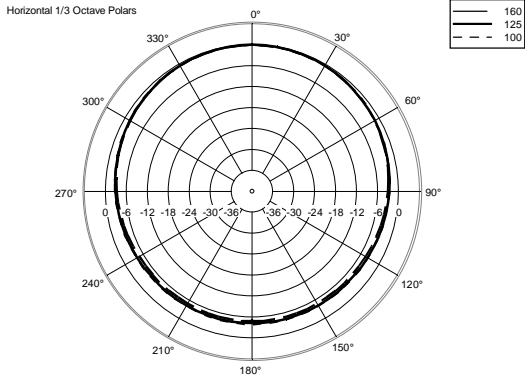
EAN 8024530019860

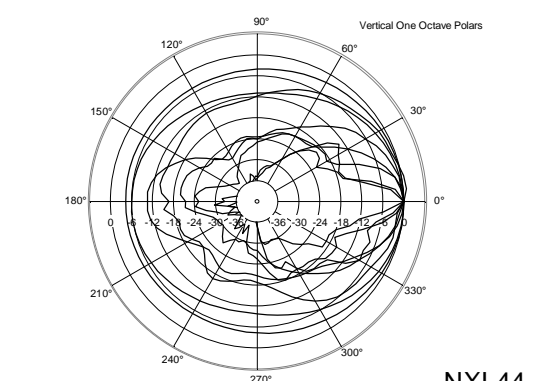
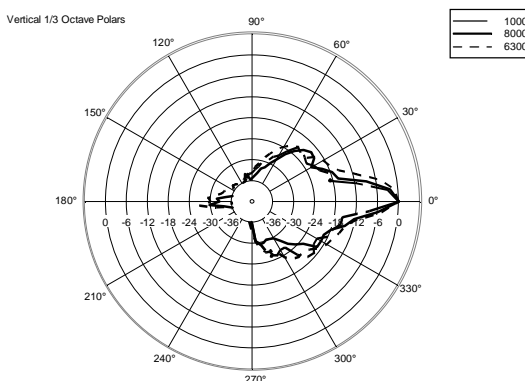
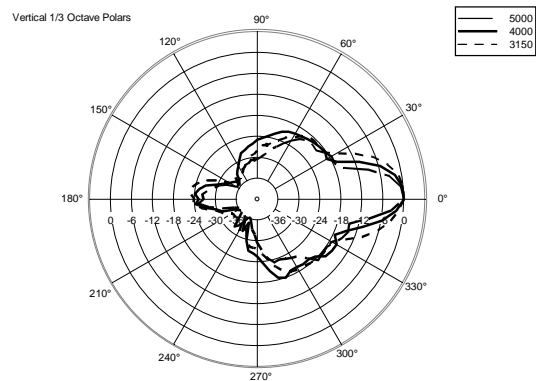
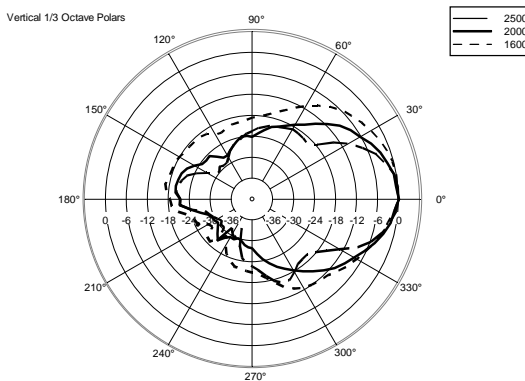
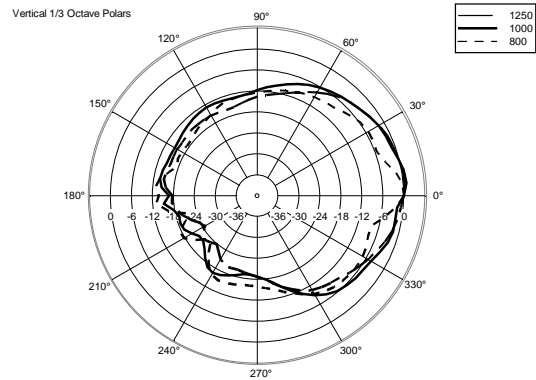
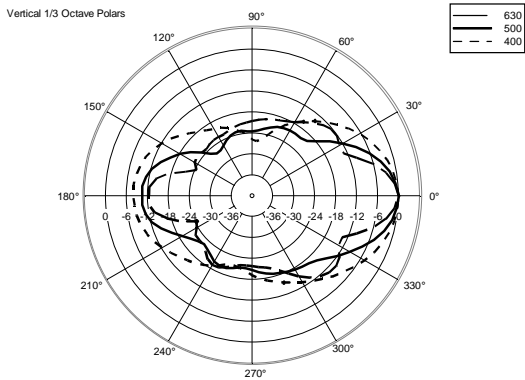
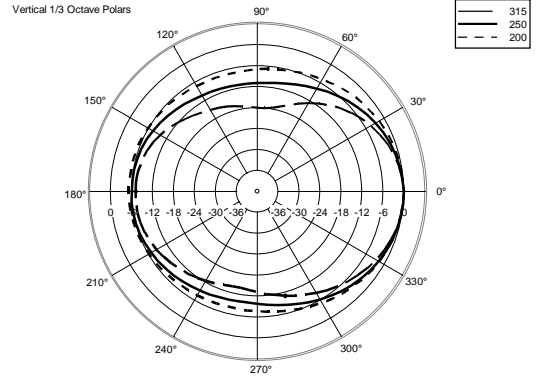
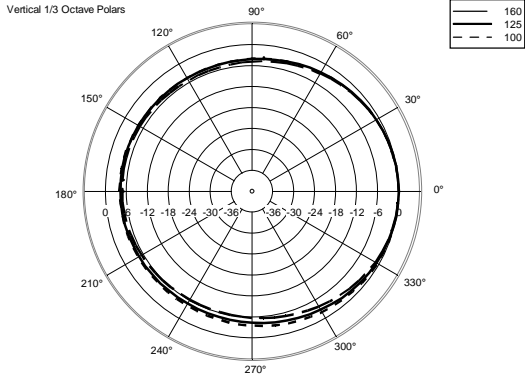


SPEAKER NXL 44-A MK2 220-240V









REV. A







**ACCESSORIES**

	AC PMA - POLE MOUNT	PART NUMBER EAN:	<b>13360034</b> 8024530007713
	AC PM-M20	PART NUMBER EAN:	<b>13360067</b> 8024530014599
	AC PMX POLE MOUNT M20	PART NUMBER EAN:	<b>13360232</b> 8024530010058
	AC PRO-FS PROFESS. LOCKING FLOOR STAND	PART NUMBER EAN:	<b>13360109</b> 8024530006471
	AC PRO-PM PROFESS. LOCKING POLE MOUNT	PART NUMBER EAN:	<b>13360110</b> 8024530006488
	FLY BAR FL-B NXL 44	PART NUMBER EAN:	<b>13360345</b> 8024530013653
	LINK BAR FL-B LINK NXL 44	PART NUMBER EAN:	<b>13360346</b> 8024530013639
	STACKING KIT 2X NXL44-A	PART NUMBER EAN:	<b>13360347</b> 8024530013646