

# SUB 705-AS II

## ACTIVE SUBWOOFER

### DESCRIPTION

The SUB 705-AS II is a compact and powerful bass reflex subwoofer. It is equipped with a 15" high power woofer with 3" voice coil, powered by a 1400 Watt digital amplifier in a robust plywood housing with deep and punchy tuning for a powerful bass. Thanks to the built-in digital stereo crossover (DSP) with adjustable crossover frequency, it can be easily and quickly set up with a satellite speaker. The SUB 705-AS II easily combines with 12" and 15", ideal for RCF ART and D-Line Series.



### FEATURES

- 1400 Watt Digital Amplifier
- 15" Woofer, bass reflex housing
- Stereo crossover
- Switchable crossover frequencies
- Phase-reverse switch
- Electronic equalization, soft limiter and protection
- Stereo XLR input, Stereo XLR signal output

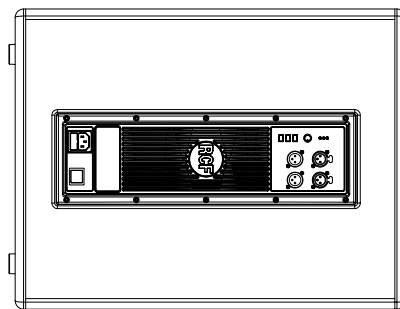
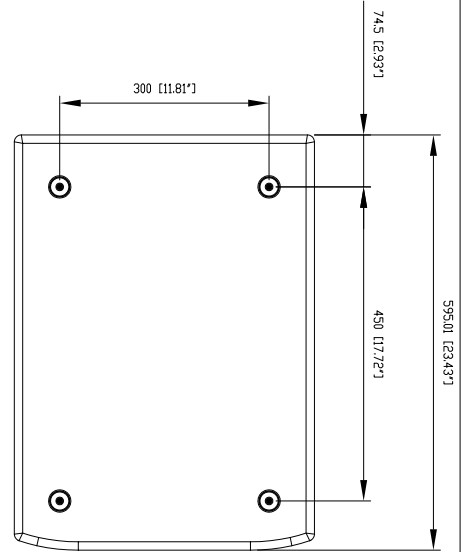
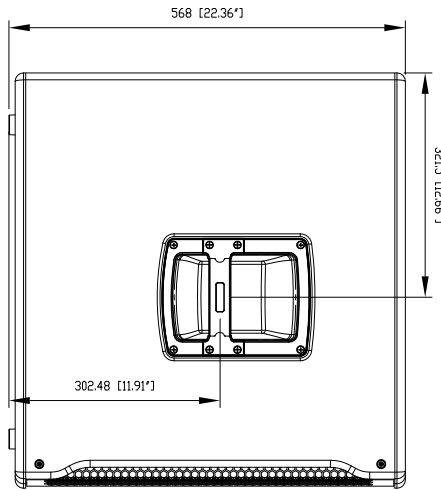
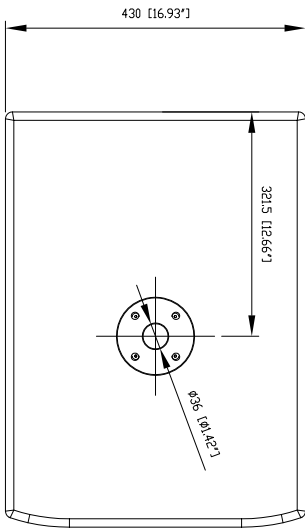
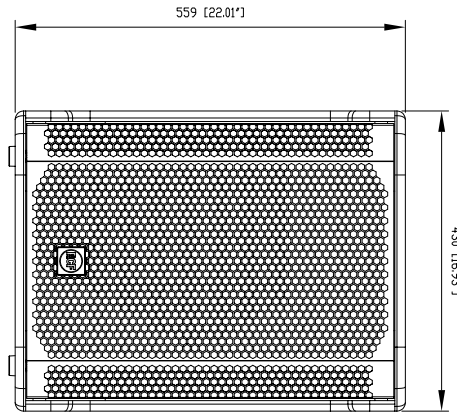
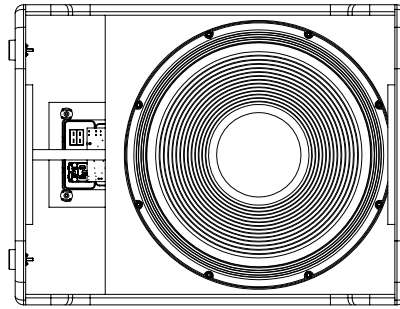
## TECHNICAL SPECIFICATIONS

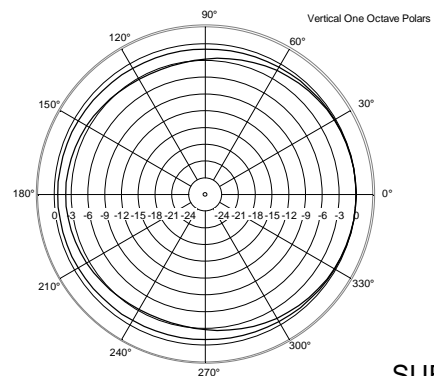
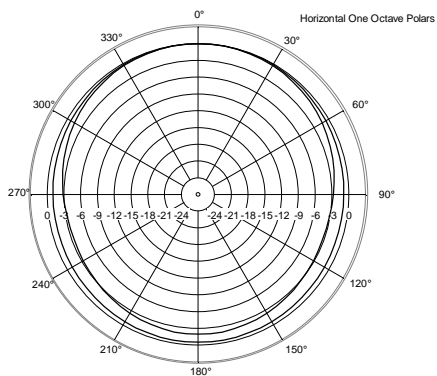
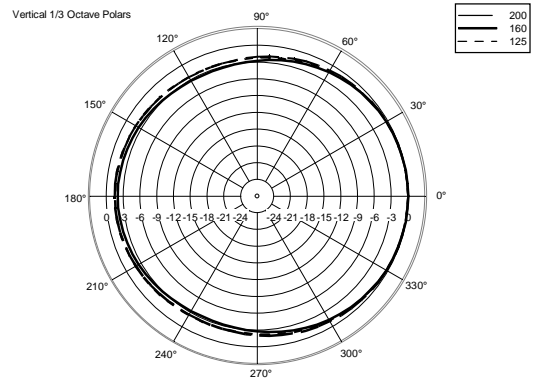
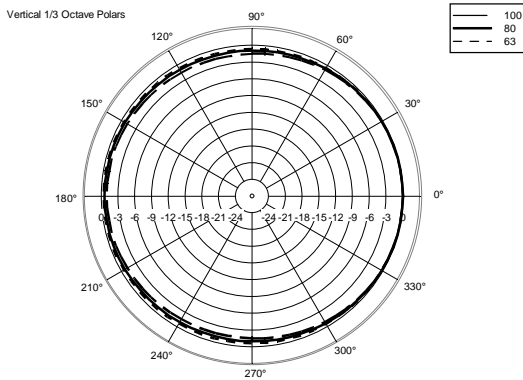
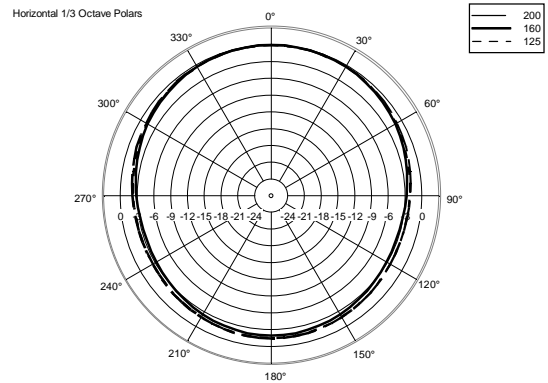
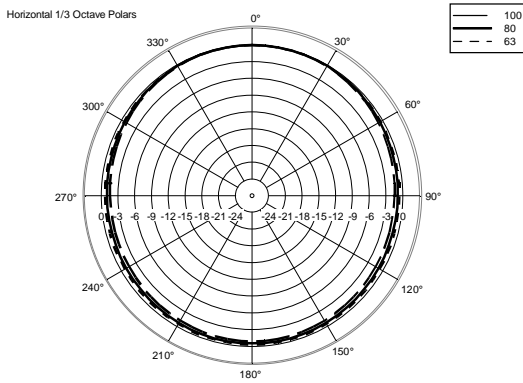
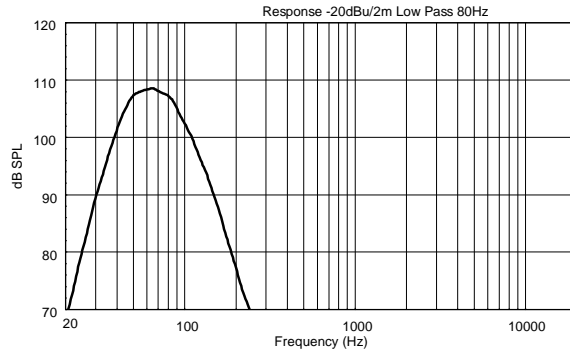
<b>Acoustical specifications</b>	Frequency Response:	40 Hz ÷ 120 Hz
	Max SPL @ 1m:	131 dB
<b>Transducers</b>	Woofers:	15", 3.0" v.c
<b>Input/Output section</b>	Input signal:	bal/unbal
	Input connectors:	XLR
	Output connectors:	XLR
	Input sensitivity:	-2 dBu/+4 dBu
<b>Processor section</b>	Hi-Pass Frequencies:	110 Hz
	Low-Pass Frequencies:	80 Hz
	Protections:	Thermal, RMS
	Limiter:	Soft Limiter
	Controls:	Volume, EQ, Phase, Xover
<b>Power section</b>	Total Power:	1400 W Peak, 700 W RMS
	Low frequencies:	1400 W Peak, 700 W RMS
	Cooling:	Convection
	Connections:	VDE
<b>Standard compliance</b>	CE marking:	Yes
<b>Physical specifications</b>	Cabinet/Case Material:	Baltic birch plywood
	Handles:	2 side
	Pole mount/Cap:	Yes
	Color:	Black
<b>Size</b>	Height:	568 mm / 22.36 inches
	Width:	430 mm / 16.93 inches
	Depth:	595 mm / 23.43 inches
	Weight:	28.6 kg / 63.05 lbs
<b>Shipping informations</b>	Package Height:	605 mm / 23.82 inches
	Package Width:	640 mm / 25.2 inches
	Package Depth:	470 mm / 18.5 inches
	Package Weight:	32.4 kg / 71.43 lbs

## PART NUMBER

- |                   |                   |
|-------------------|-------------------|
| • <b>13000456</b> | • <b>13000455</b> |
| SUB 705-AS II     | SUB 705-AS II     |
| 115V              | 220-240V          |
| EAN 8024530012915 | EAN 8024530012861 |

# SUB 705-AS II





**ACCESSORIES**

AC M20-PLATE

PART NUMBER **13360066**  
EAN:

AC PMA - POLE MOUNT

PART NUMBER **13360034**  
EAN: 8024530007713

AC PRO-PM PROFESS. LOCKING POLE MOUNT

PART NUMBER **13360110**  
EAN: 8024530006488

COVER CVR SUB 702 II

PART NUMBER **13360321**  
EAN: 8024530013400