

SUB 905-AS II

ACTIVE SUBWOOFER

DESCRIPTION

The SUB 905-AS II active subwoofer is ideal for building powerful subwoofer satellite systems where compactness and high sound levels are required at the same time. The SUB 905-AS has the most advanced RCF woofer technology, coupled with a powerful 2200 W digital amplifier. It offers the perfect blend of bass reproduction, high SPL and compact dimensions for mobile use by bands or DJs.



FEATURES

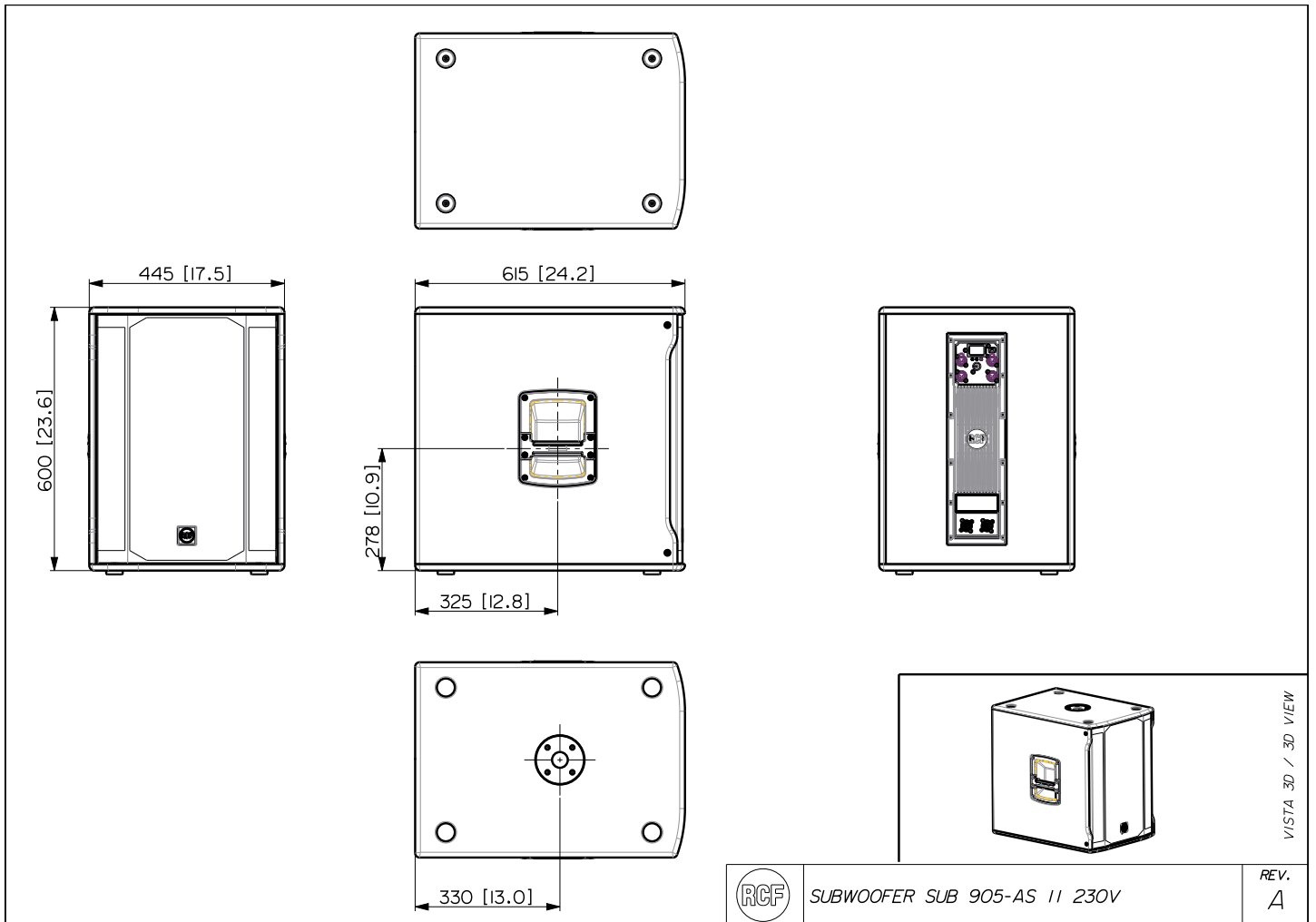
- 2200 W
- 133 dB max SPL
- 40 Hz - 120 Hz frequency response
- 15" Woofer, 3.0" v.c.
- Selectable gain, X-over and delay
- Birch tour grade cabinet
- Stereo XLR input, Stereo XLR signal output

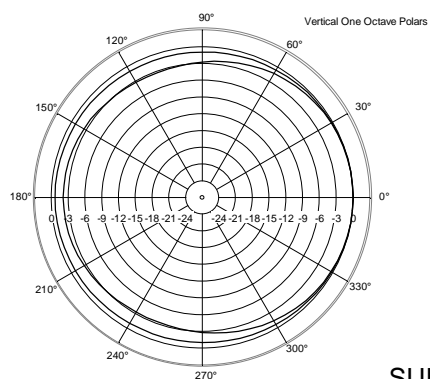
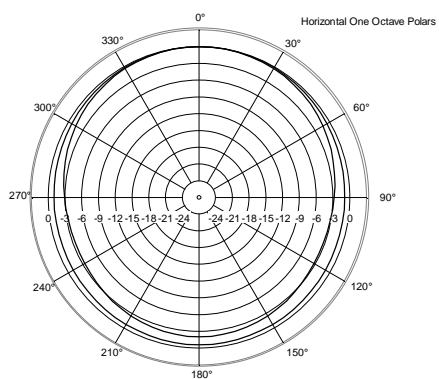
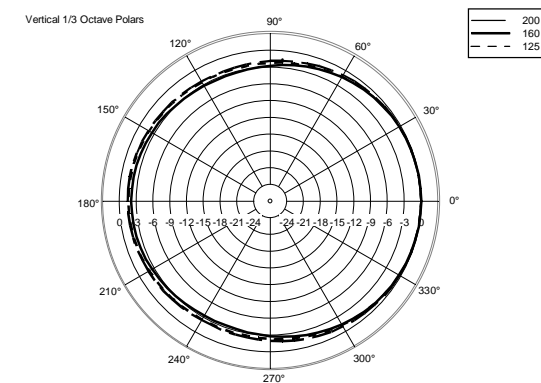
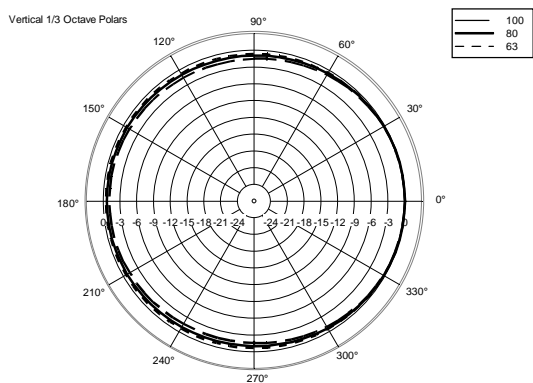
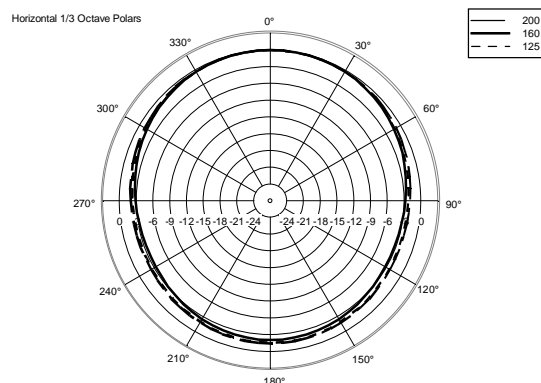
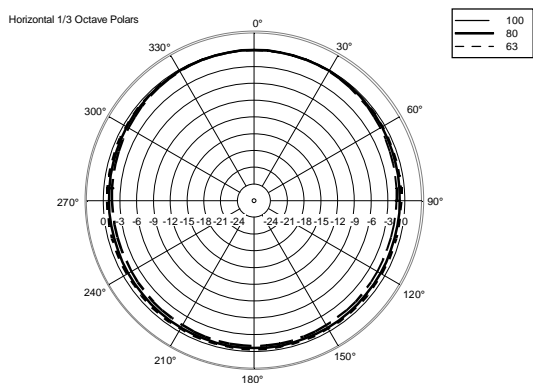
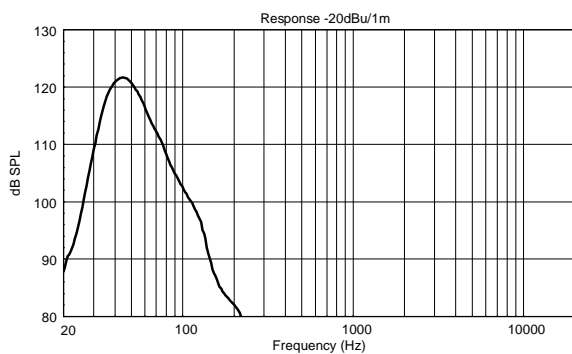
TECHNICAL SPECIFICATIONS

Acoustical specifications	Frequency Response:	40 Hz ÷ 120 Hz
	Max SPL @ 1m:	133 dB
Transducers	Woofers:	15", 3.0" v.c
Input/Output section	Input connectors:	XRL Stereo
	Output connectors:	XRL Stereo
	Input sensitivity:	-2 dBu/+4 dBu
Processor section	Crossover Frequencies:	Selectable
	Protections:	Thermal, RMS
	Limiter:	Soft Limiter
	Controls:	Gain, EQ, phase, xover, delay, cardioid
Power section	Total Power:	2200 W Peak, 1100 W RMS
	Low frequencies:	2200 W Peak, 1100 W RMS
	Cooling:	Convection
	Connections:	Powercon IN/OUT
Standard compliance	CE marking:	Yes
Physical specifications	Cabinet/Case Material:	Baltic birch plywood
	Handles:	2 Side
	Pole mount/Cap:	Yes
	Grille:	Steel
	Color:	Black
Size	Height:	600 mm / 23.62 inches
	Width:	445 mm / 17.52 inches
	Depth:	610 mm / 24.02 inches
	Weight:	30.2 kg / 66.58 lbs
Shipping informations	Package Height:	650 mm / 25.59 inches
	Package Width:	670 mm / 26.38 inches
	Package Depth:	500 mm / 19.69 inches
	Package Weight:	35 kg / 77.16 lbs

PART NUMBER

- | | |
|-------------------|-------------------|
| • 13000435 | • 13000434 |
| SUB 905-AS II | SUB 905-AS II |
| 115V | 220-240V |
| EAN 8024530014469 | EAN 8024530014551 |





ACCESSORIES

AC PMA - POLE MOUNT

PART NUMBER **13360034**
EAN: 8024530007713

AC PRO-PM PROFESS. LOCKING POLE MOUNT

PART NUMBER **13360110**
EAN: 8024530006488

COVER CVR SUB 905 II

PART NUMBER **13360379**
EAN: 8024530014582